

Features

Model 4098-9757 QuickConnect2 sensor design provides:

- TrueAlarm photoelectric analog sensing and IDNet two-wire addressable communications combined into one assembly
- Quick and easy connection to a 4098-9788 base (required, ordered separately)
- Operation for ceiling or wall mounting
- Operation for use with Simplex® models 4007ES, 4010, 4010ES, 4100ES with IDNet 2 and IDNet 2+2 Modules, and 4100ES/4100U Fire Alarm Control Panels with IDNet Module 4100-3106
- UL listed to Standard 268

QuickConnect2 sensors communicate to the control panel to provide the following TrueAlert analog sensing operation features:

- Smoke sensitivity that is accurately maintained at the selected level (determined by the control panel)
- 4007ES, 4010ES, and compatible 4100ES/4100U Series control panels provide seven levels of sensitivity from 0.2% to 3.7%/ft of obscuration (refer to page 2 for application details)
- 4010 Series control panels provide three levels of sensitivity of 2.5, 3.0, or 3.7%/ft obscuration
- Sensitivity monitoring that satisfies NFPA 72 sensitivity testing requirements
- Automatic environmental compensation
- Automatic, once per minute individual sensor calibration check verifies sensor integrity
- Ability to display and print detailed sensor information in plain English language
- Tracking of excessive dirt accumulation

4098-9788 base provides stationary wiring terminals and quick snap-in sensor connections:

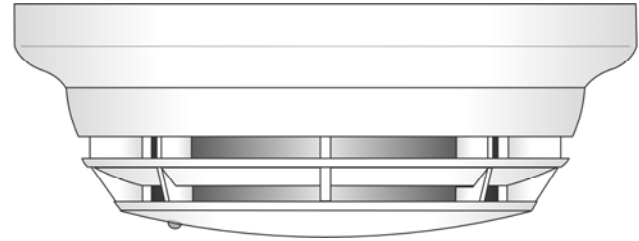
- Mounting is on a 4" square, 4" octagonal, or single gang box (supplied separately)
- 4098-9832 Adapter Plate is available for retrofit and certain mounting methods (refer to page 2)

Functional and architecturally styled chamber enclosure details:

- Louvered design enhances smoke capture by directing flow to chamber
- Entrance areas are minimally visible when ceiling mounted
- Chamber is easily accessible for cleaning
- Designed for EMI compatibility
- Internal magnetic test feature that activates alarm

Integral red LED (with red lens) indicates:

- Power-on when pulsing, Alarm or Trouble when steady on (a remote LED is not supported)
- Refer to data sheet S4098-0019 for sensor bases that support remote LED connections and additional TrueAlarm analog detection features



4098-9757 QuickConnect2 TrueAlarm Sensor
Mounted in 4098-9788 Base

Description

For applications that only require basic TrueAlarm features, the 4098-9757 QuickConnect2 sensor provides addressable analog sensing in a cost-effective compact package. The control panel monitors and maintains the selected sensitivity of the 4098-9757 as well as providing automatic compensation for environmental conditions such as dust, dirt, and component degradation, and TrueAlarm data capture for each sensor.

QuickConnect2 Mounting. Wiring connections are made to a 4098-9788 base which provides a secure and quick connection for the 4098-9757 sensor. Sensor and communications electronics are contained in the 4098-9757 sensor assembly.

Sensor Alarm and Trouble LED Indication. The control panel also determines when individual sensors need cleaning. Dirty sensors, or other sensor troubles, will automatically be annunciated at the control panel and that sensor's LED will light steadily. In an alarm condition, the alarmed sensor's LED will light steadily. (LED operation is controlled by the panel. During system alarm, a sensor LED that was lit to indicate trouble will return to pulsing to conserve communications power as long as it is not in alarm.)

* This product has been approved by the California State Fire Marshal (CSFM) pursuant to Section 13144.1 of the California Health and Safety Code. See CSFM Listing 7272-0026:243 for allowable values and/or conditions concerning material presented in this document. Accepted for use – City of New York Department of Buildings – MEA35-93E. Additional listings may be applicable; contact your local Simplex product supplier for the latest status. Listings and approvals under Simplex Time Recorder Co. are the property of Tyco Fire Protection Products.

Sensor Locations

Sensor locations should be determined only after careful consideration of the physical layout and contents of the area to be protected. Refer to NFPA 72, the *National Fire Alarm and Signaling Code*. On smooth ceilings, spacing of 30 ft (9.1 m) may be used as a guide.

For detailed installation information, refer to 574-709, *4098 Detectors, Sensors, and Bases Application Manual*. For mounting base 4098-9788 installation instructions, defer to 574-706, *4098 Smoke/Heat Base Installation Instructions*.

QuickConnect2 Sensor Product Selection

Sensor and Base

Model	Description	Compatibility
4098-9757*	QuickConnect2 TrueAlarm Sensor	Requires 4098-9788 base (ordered separately)
4098-9788	Mounting base for 4098-9757	Required , one for each 4098-9757 sensor (ordered separately)

Adapter Plate

Model	Description	Compatibility
4098-9832	Adapter Plate	Required for mounting to surface mounted boxes and 4" square, flush mounted boxes May be used when retrofitting to existing bases

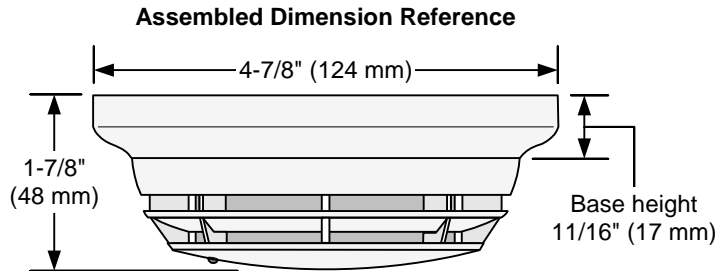
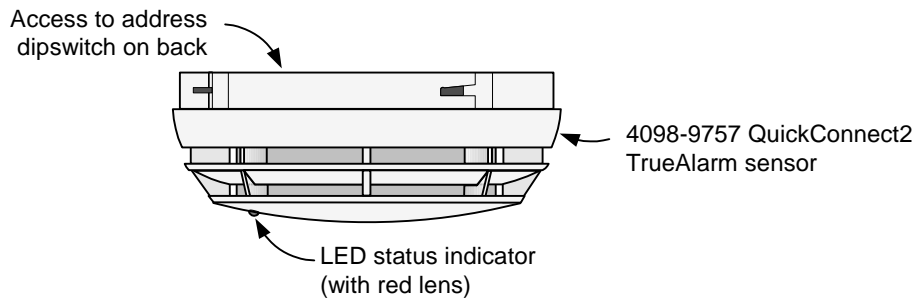
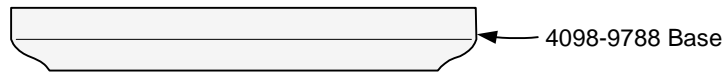
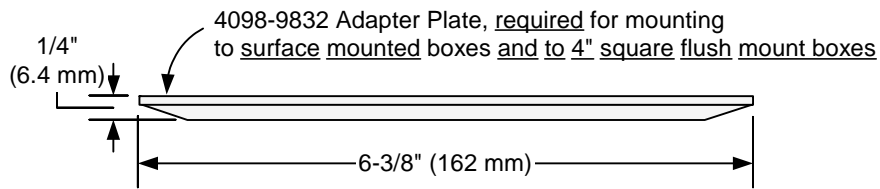
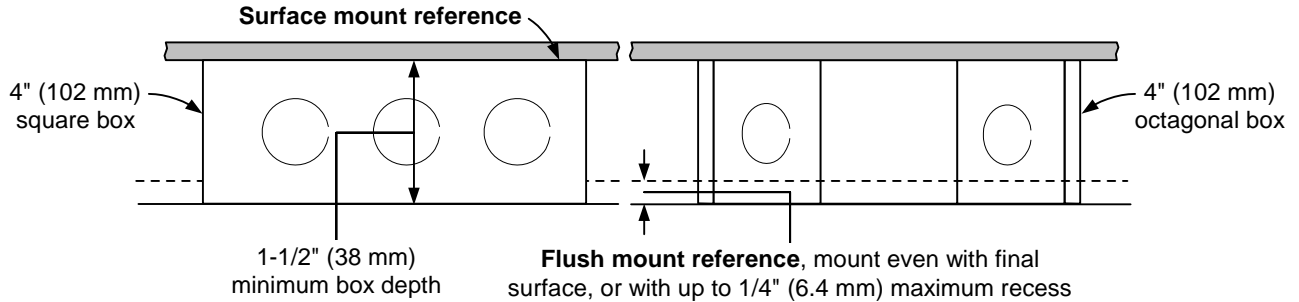
* Model number GSA4098-9757 complies with the Trade Agreement Act and appears in the GSA schedule.

Specifications

Power and Communications	IDNet communications, auto-selected, 1 address per base
Address Allocation	One address per sensor
IDNet Channel Capability	Up to 250 sensors/devices per channel
IDNet Connections on 4098-9788 Base	Screw terminals for in/out wiring and shield continuity connection, 18 to 14 AWG (0.82 to 2.08 mm ²)
	with 4010
	Panel selectable as 2.5, 3.0, or 3.7%/ft obscuration
Sensitivity	with 4007ES, 4010ES, 4100ES with IDNet 2 or IDNet 2+2 Modules, or 4100ES/4100U with 4100-3106 Module Panel selectable from 0.2 to 3.7%/ft obscuration; standard sensitivities are 1.5%, 2.0%, 2.5%, and 3.7%; sensitivities of 0.2%, 0.5%, and 1% are for special applications in clean areas Note: For detailed application information including sensitivity selection, refer to Installation Instructions 574-709
Air Velocity Range	0-2,000 ft/min (0-610 m/min)
UL Listed Temperature Range	32° to 100° F (0° to 38° C)
Operating Temperature Range	32° to 122° F (0° to 50° C)
Storage Temperature Range	0° to 140° F (-18° to 60° C)
Humidity Range	10% to 95% RH from 32° to 122° F (0° to 50° C), non-condensing
Color	Frost White
Dimensions	Refer to mounting illustrations on page 3

Electrical Box Requirements:

4" octagonal or 4" square, 1-1/2" deep;
single gang, 2" deep



TYCO, SIMPLEX, and the product names listed in this material are marks and/or registered marks. Unauthorized use is strictly prohibited. NFPA 72 and National Fire Alarm and Signaling Code are registered trademarks of the National Fire Protection Association (NFPA).



Tyco Fire Protection Products • Westminster, MA • 01441-0001 • USA
www.simplex-fire.com

S4098-0034-7 1/2015

© 2015 Tyco Fire Protection Products. All rights reserved. All specifications and other information shown were current as of document revision date and are subject to change without notice.