

### Certified with EN 50545-1

PPS+ is the first system which acquired the certification of EN 50545-1, the standard for car parks.

### Specially Designed for Carparks

Prosense PPS+ addressable gas detectors are designed and developed for continuously monitoring carbon monoxide for vehicles with gasoline and nitrogen dioxide for vehicles with diesel in closed car parks and tunnels.

### Easy Communication

PPS+ Series gas detectors are managed by PPS Manager Control Panel via Modbus RS485 RTU serial connection.

### Increasable Number of Zones

PPS Manager control panel has up to four zones and each zone capable to manage up to 32 detectors.

### Different Gases in Same Zone

The detectors for different gases can be integrated into same zone and can be monitored separately. Totally, 128 detectors can be managed by PPS Manager.

### Suitable Solution for Ventilation System

PPS Manager has three relay outputs for each zone in order to manage fan ventilation levels. Also, 1 Alarm and 1 Fault relay contacts are integrated into the panel to monitor overall status.

### Visual Indicators

Four individual LEDs in each zone inform the operator about current status as an addition to the panel display.

### Power Cut Protection

PPS Control Manager offers optional battery connections in case of power cut.

### Management System Integration Output

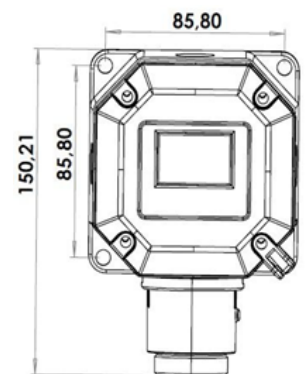
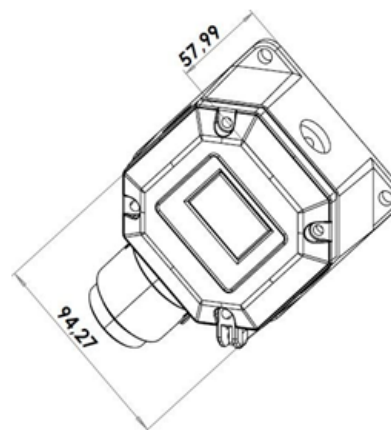
PPS Manager provides Modbus RS 485 RTU output that can be integrated with SCADA, DCS or BMS systems

### Automatic Recognition of Detectors

PPS monitoring system automatically detects the type of detector and adjusts the related measurement ranges and alarm levels.

### Monitoring Options

You can select an average or maximum value for every single zone and monitor that value.



### Single Detector Monitoring

Monitoring every single detector in every single zone is possible with PPS Manager.

### Optional Modules

- **PA-1207:** No Maintenance Required 12V 7A Battery
- **RS485:** Modbus RS485 RTU Interface Module
- **PPS-RS:** Zone-expand module to increase the number of zones

Specifications	PPS-CO	PPS-NO2
Target Gas	Carbon Monoxide	Nitrogen Dioxide
Sensor Type	Electrochemical	
Output Signal	Modbus RS485 RTU	
Sensor Warm-Up	60sec	
Response Time	<30sec	
Measuring Range	0-300ppm	0-30ppm
Accuracy	%±1	
Operating Temperature	-20°C ~ +50°C	
Humidity	5~95%RH	
Input Voltage	Min 10VDC - Max 18VDC - Nominal 12VDC	
Power Consumption	Max.2W	
Cable Entry	PG11	
Junction Box	ABS Plastic / IP54	
Dimensions	150x94,5x58mm	
Weight	250gr	
Standards	EN 50545-1:2015 EN 50270	

Specifications	PPS Manager
Power Source	220VAC +/-10% - 50 Hz/110VAC +/-10%
Power Consumption	27VDC/200mA-5.4Wmax. without connected detectors
Input (Internal)	4 x 32 Detectors via Modbus RS485 RTU Serial Input
Relay Outputs	Fan1, Fan2 and Fault for Each Zone Fault and Alarm for Overall Status
Contacts Rating	3A, 24VDC or 2A 120VAC
Display	Graphic LCD (2x8)
LED Indicators	Zone Status: Power, Fault, Alarm1, Fan1, Fan2 General Status: Power/ON, Fault
Buzzer	Yes
Backup Battery	2x12V 7A/h (Optional)
Operating Temp.	-20 to +50°C
Humidity	5-95%RH Non-Condensing
Housing	ABS Plastic / IP66
Dimensions	366x276x186mm
Weight	5.5kg
Main Power Fuse	2A
Backup Battery Fuse	2A

• Max. cable length should not exceed 800m in each zone due to the Modbus limit.

For more information please contact with [info@prosense.com.tr](mailto:info@prosense.com.tr)