

## Intrinsically Safe (Exia), Weatherproof



### Features

- Zones 0, 1, 2 & safe area use.
- Exia IIB/IIC T4.
- ATEX approved, Ex II 1G.
- BASEEFA certified.
- IECEx certified Ga.
- GOST 'R' certified.
- IP66 & IP67.
- Certified temperature: -55°C to +60°C.
- Corrosion resistant GRP body.
- High intensity flash.
- Clear polycarbonate lens.
- Retained stainless steel cover screws.
- Encapsulated electronics.

### Introduction

This range of ruggedised, intrinsically safe and weatherproof beacons, intended for use in potentially explosive atmospheres, have been designed with high ingress protection to cope with the harsh environmental conditions found offshore and onshore in the oil, gas and petrochemical industries.

The unit is available in 12V and 24V versions and for gas groups IIB or IIC.

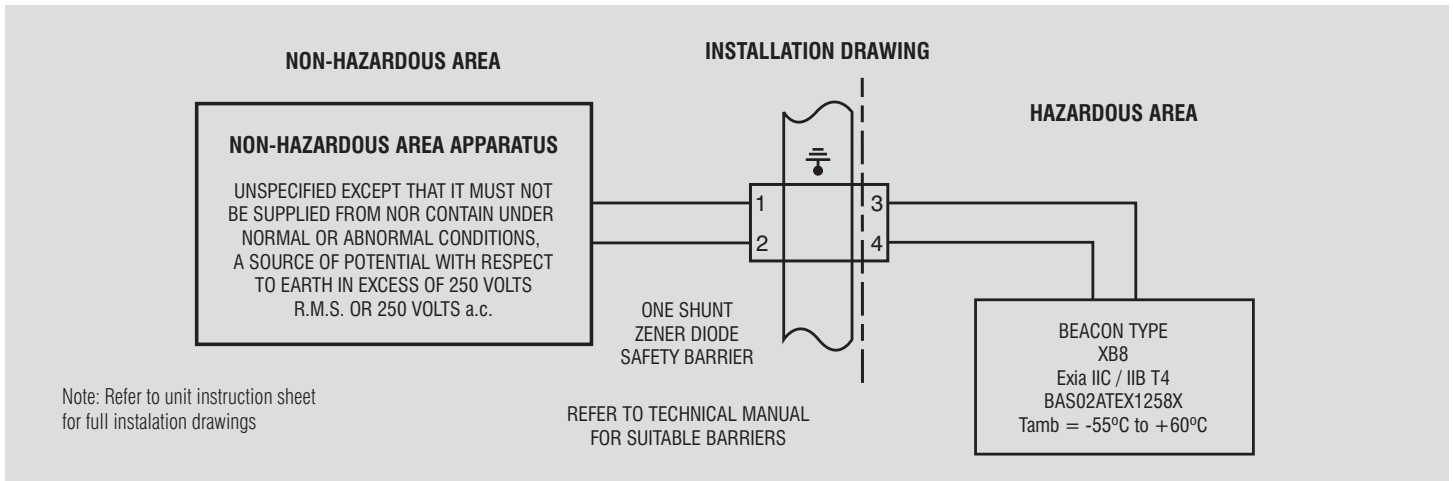
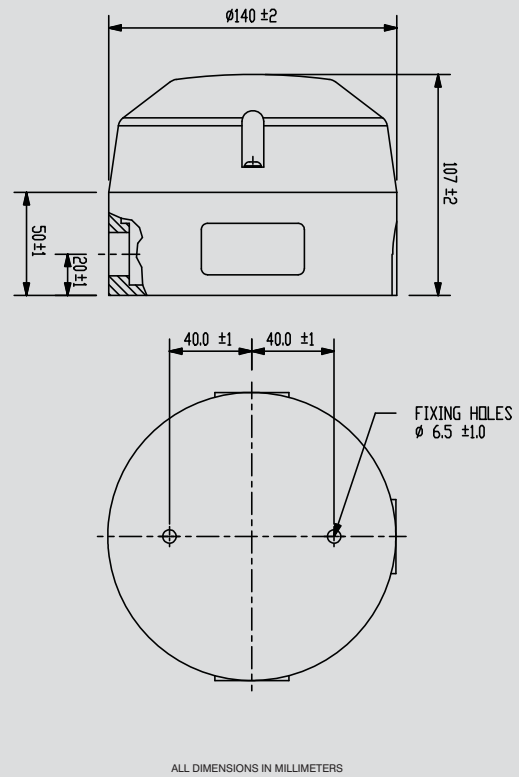
A lower cost, uncertified version is available

**Authorized Distributor:**  
**GasDetectorsUSA.com**  
**Houston, TX USA**  
**832-615-3588**  
**sales@GasDetectorsUSA.com**



# Specification

<b>Certification:</b>	Certified to IEC60079-0, IEC60079-11 Certified to EN60079-0, EN60079-11 ATEX Cert. No. BAS02ATEX1258X Ex II 1 G Ex ia IIB/IIC T4 Ga IECEx Cert. No. IECEx BAS 10.0111X Ex ia IIB/IIC T4 Ga. Zones 0, 1 & 2. GOST 'R' Certification: 0Exia IIB T4 & 0Exia IIC T4, Cert. No. A-0757. American Bureau of Shipping Type Approval
<b>Material:</b>	UV stable glass reinforced polyester body. Clear polycarbonate cover/lens. Retained stainless steel cover screws.
<b>Finish:</b>	Painted red as standard or to customer specification.
<b>Tube Energy:</b>	IIB version 0.5 Joules. IIC version 0.4 Joules.
<b>Weight:</b>	1.4 kg.
<b>Certified Temp:</b>	-55°C to +60°C.
<b>Ingress Protection:</b>	IP66 & IP67.
<b>Tube Life:</b>	> 1 x 10 <sup>6</sup> flashes.
<b>Voltage:</b>	12V or 24V via suitable barrier.
<b>Current Consumption:</b>	24V IIB model – 71mA max. nominal. 24V IIC model – 55mA max. nominal. 12V IIB & IIC models – 52mA max. nominal.
<b>Tube Type:</b>	Xenon discharge.
<b>Lens Colour:</b>	Clear as standard. Coloured options available.
<b>Terminals:</b>	8 x 2.5mm <sup>2</sup> .
<b>Flash Rate:</b>	1 flash per second.
<b>Labels:</b>	Duty and tag labels optional.
<b>Cable Entries:</b>	Up to 3 x M20 via knockouts.



## Ordering Requirements

The following code is designed to help in selection of the correct unit. Build up the reference number by inserting the code for each component into the appropriate box. **Standard products available for immediate shipping - contact sales office for details.**

<b>Model</b> XB8	<b>Certification</b> [ ]	<b>Voltage</b> [ ]	<b>Lens Colour</b> [ ]	<b>Guard</b> [ ]	<b>Finish</b> [ ]																																								
	<table border="1"> <tr><th>Certification</th><th>Code</th></tr> <tr><td>ATEX IIB</td><td>BB</td></tr> <tr><td>ATEX IIC</td><td>BC</td></tr> <tr><td>IECEx IIB</td><td>JB</td></tr> <tr><td>IECEx IIC</td><td>JC</td></tr> <tr><td>GOST 'R' IIB</td><td>GB</td></tr> <tr><td>GOST 'R' IIC</td><td>GC</td></tr> </table>	Certification	Code	ATEX IIB	BB	ATEX IIC	BC	IECEx IIB	JB	IECEx IIC	JC	GOST 'R' IIB	GB	GOST 'R' IIC	GC	<table border="1"> <tr><th>Voltage</th><th>Code</th></tr> <tr><td>12V</td><td>012</td></tr> <tr><td>24V</td><td>024</td></tr> </table>	Voltage	Code	12V	012	24V	024	<table border="1"> <tr><th>Lens Colour</th><th>Code</th></tr> <tr><td>Clear (Standard)</td><td>C</td></tr> <tr><td>Special</td><td>S*</td></tr> </table> <p>*Please specify</p>	Lens Colour	Code	Clear (Standard)	C	Special	S*	<table border="1"> <tr><th>Guard</th><th>Code</th></tr> <tr><td>Duty</td><td>D*</td></tr> <tr><td>Tag</td><td>T*</td></tr> <tr><td>None</td><td>N</td></tr> </table> <p>*Please specify wording</p>	Guard	Code	Duty	D*	Tag	T*	None	N	<table border="1"> <tr><th>Finish</th><th>Code</th></tr> <tr><td>Painted Red</td><td>R</td></tr> <tr><td>Special</td><td>S*</td></tr> </table> <p>*Please specify</p>	Finish	Code	Painted Red	R	Special	S*
Certification	Code																																												
ATEX IIB	BB																																												
ATEX IIC	BC																																												
IECEx IIB	JB																																												
IECEx IIC	JC																																												
GOST 'R' IIB	GB																																												
GOST 'R' IIC	GC																																												
Voltage	Code																																												
12V	012																																												
24V	024																																												
Lens Colour	Code																																												
Clear (Standard)	C																																												
Special	S*																																												
Guard	Code																																												
Duty	D*																																												
Tag	T*																																												
None	N																																												
Finish	Code																																												
Painted Red	R																																												
Special	S*																																												