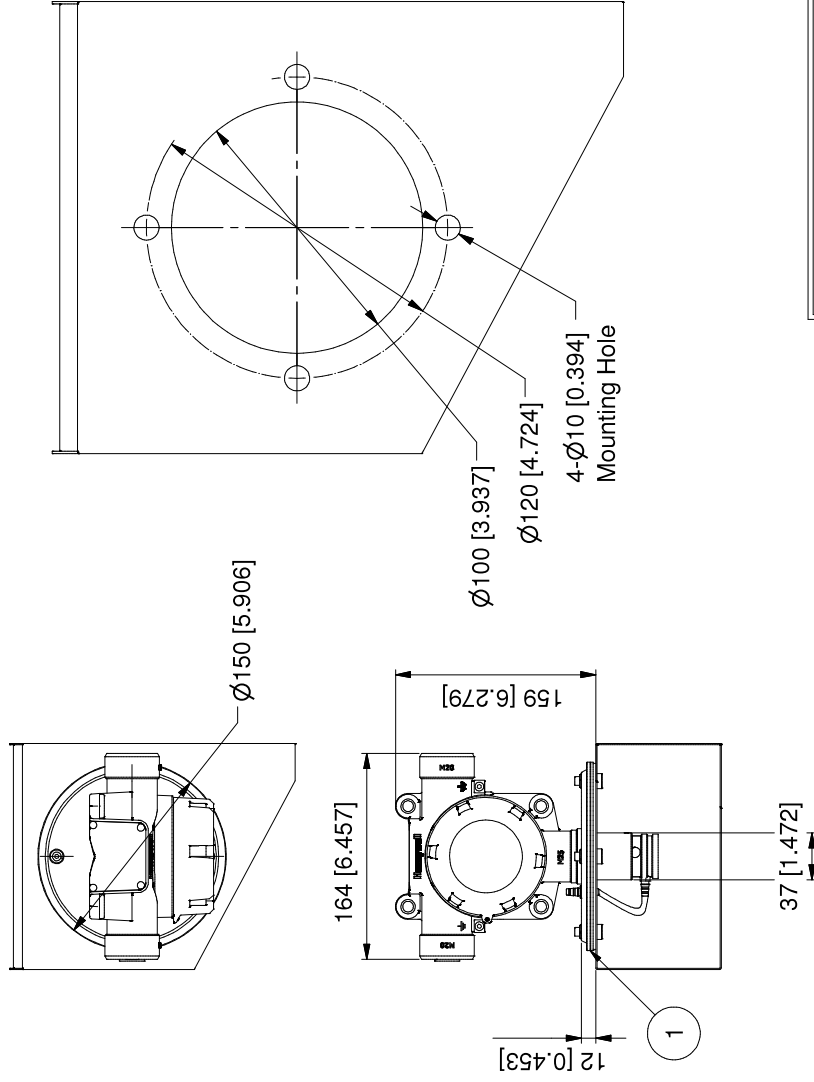


THIS DOCUMENT HAS BEEN GENERATED USING AutoCAD
AND MUST ONLY BE UPDATED BY C.A.D.

3001G0471 SH1.3

I. ITEM LIST
1. DUCT MOUNTING PLATE

Duct Mounting Hole



THIS ITEM FORMS PART OF A CERTIFIED PRODUCT
NO MODIFICATION PERMITTED WITHOUT
REFERENCE TO CERTIFICATION DEPARTMENT

SCALE		DR'N		BEN		25/JUN/08	
NTS		TITLE		SENSEPOINT XCD		INSTALLATION DRAWING	
SCALE	NTS	DR'N	BEN	25/JUN/08			
ISSUE	A	DATE					
DATE	07/JUL/08						
CHANGE	Add Sheet						
APP'D	J.Y.JIN						
MATERIAL		FINISH		TOLERANCES TO BE AS SPECIFIED BELOW UNLESS OTHERWISE STATED.		ALL DIMENSIONS IN MILLIMETRES UNLESS OTHERWISE STATED. AND APPLY AFTER PLATING.	
E	02/OCT/08	D	13/AUG/08	C	09/JUL/08	B	07/JUL/08
Add ATEX Code		Change WP		Add inch dims.		New Drawing	
J.Y.JIN	J.Y.JIN	J.Y.JIN	J.Y.JIN	J.Y.JIN	J.Y.JIN	J.Y.JIN	J.Y.JIN
REMOVE ALL BURRS AND SHARP EDGES		THIS DRAWING IS TO BS 8888		REMOVE ALL BURRS AND SHARP EDGES		SURFACE TEXTURE VALUES ARE IN um Ra AND TO BS 1134	
DIMS.		TOLERANCES TO BE AS SPECIFIED BELOW UNLESS OTHERWISE STATED.		DIMS.		TOLERANCES TO BE AS SPECIFIED BELOW UNLESS OTHERWISE STATED.	
1 DP ± 0.1 mm		NONE ± 0.25 mm		1 DP ± 0.1 mm		NONE ± 0.25 mm	
ANGULAR ± 1/2 °		ANGULAR ± 1/2 °		ANGULAR ± 1/2 °		ANGULAR ± 1/2 °	
HOLES.		HOLES.		HOLES.		HOLES.	
ø 0 to 8		ø 0 to 8		ø 0 to 8		ø 0 to 8	
ø 8 to 14		ø 8 to 14		ø 8 to 14		ø 8 to 14	
ø 14 to 25		ø 14 to 25		ø 14 to 25		ø 14 to 25	

3001G0471

SH1.3
OF 3

A3