

A

STA BEACON STACK WITH ALARM SOUNDER

STA2/STA3/STA4
 IP Rating: 3R/13
 Temp: -25°C to +55°C
 CE Marked & UL Listed

Mountings
 Multiple mounting lugs with holes
 suitable for up to M6 fixings.

2.5mm² terminals
 Cable entry:M20 cable entry

Complete Unit Order code	Description	Component Unit Code	Type	Voltage
STA2DC[x]	Junction box & SONF1, 2 x Beacons - DC	ST-L101XDC012[x]	Xenon	12V DC
STA2AC[x]	Junction box & SONF1, 2 x Beacons - AC	ST-L101XDC024[x]	Xenon	24V DC
STA3DC[x]	Junction box & SONF1, 3 x Beacons - DC	ST-L101XAC115[x]	Xenon	115V AC
STA3AC[x]	Junction box & SONF1, 3 x Beacons - AC	ST-L101XAC230[x]	Xenon	230V AC
STA4DC[x]	Junction box & SONF1, 4 x Beacons - DC	ST-L101HDC030[x]	LED	10-30V DC
STA4AC[x]	Junction box & SONF1, 4 x Beacons - AC	ST-L101HAC230[x]	LED	90-260V AC

[x] = Housing colour

For UL listed units, add '-UL' suffix to order codes.

[x] = Lens / LED Colour

⚠ ATTENTION : Installation must be carried out by an electrician in compliance with the latest codes and regulations.

⚠ ATTENTION : Disconnect from power source before installation or service to prevent electric shock.

⚠ ATTENTION : On strobe beacons allow a minimum of 2 minutes for hazardous high voltage to discharge from unit.

⚠ ATTENTION : Lens on unit will be hot allow to cool prior to removal.

⚠ ATTENTION : Please check factory settings and ensure the correct alarm tone is selected for your country or application.

Tel: +44 (0)2 8743 8880 Fax: +44 (0)20 8740 4200
 mail: sales@e2s.com web: www.e2s.com



B

Order code	Nominal Voltage	ST-L101X Xenon Beacon			ST-L101H LED Beacon			Alarm Sounder		
		Voltage Range	Current	Max Current	Voltage Range	Current	Max Current	Voltage Range	Current	Max Current
STA*DC012[x]	12 V DC	11.5-14V	500mA	531mA @ 14 V	12-30 V	157mA	166mA @ 30 V	10-30 V	15mA	15mA @ 30V
STA*DC024[x]	24 V DC	20-28V	250mA	271mA @ 20 V	12-30 V	157mA	166mA @ 30 V	10-30 V	15mA	15mA @ 30V
STA*AC115[x]	115V AC	+/- 10%	70mA	101mA @126.5 V	90-260 V	60mA	60mA @ 90 V	+/- 10%	27mA	27mA @ 115V
STA*AC230[x]	230V AC	+/- 10%	35mA	58mA @ 253 V	90-260 V	35mA	60mA @ 90 V	+/- 10%	39mA	39mA @ 230V

*Denotes number of beacons (2, 3 or 4)

For UL listed units, add '-UL' suffix to order codes.

LED UNITS
 [x] DENOTES LED COLOUR:
 A = AMBER; B = BLUE; G= GREEN
 R = RED; W = WHITE

XENON UNITS
 [x] DENOTES LENS COLOUR
 A = AMBER; B = BLUE; C = CLEAR; G = GREEN;
 O = OPAL; R = RED; Y = YELLOW

For Voltage Ranges of complete units, take the highest Minimum value and lowest Maximum value in the ranges of the component units
 For Current and Max Current Ratings of complete units, add the ratings from the component units:

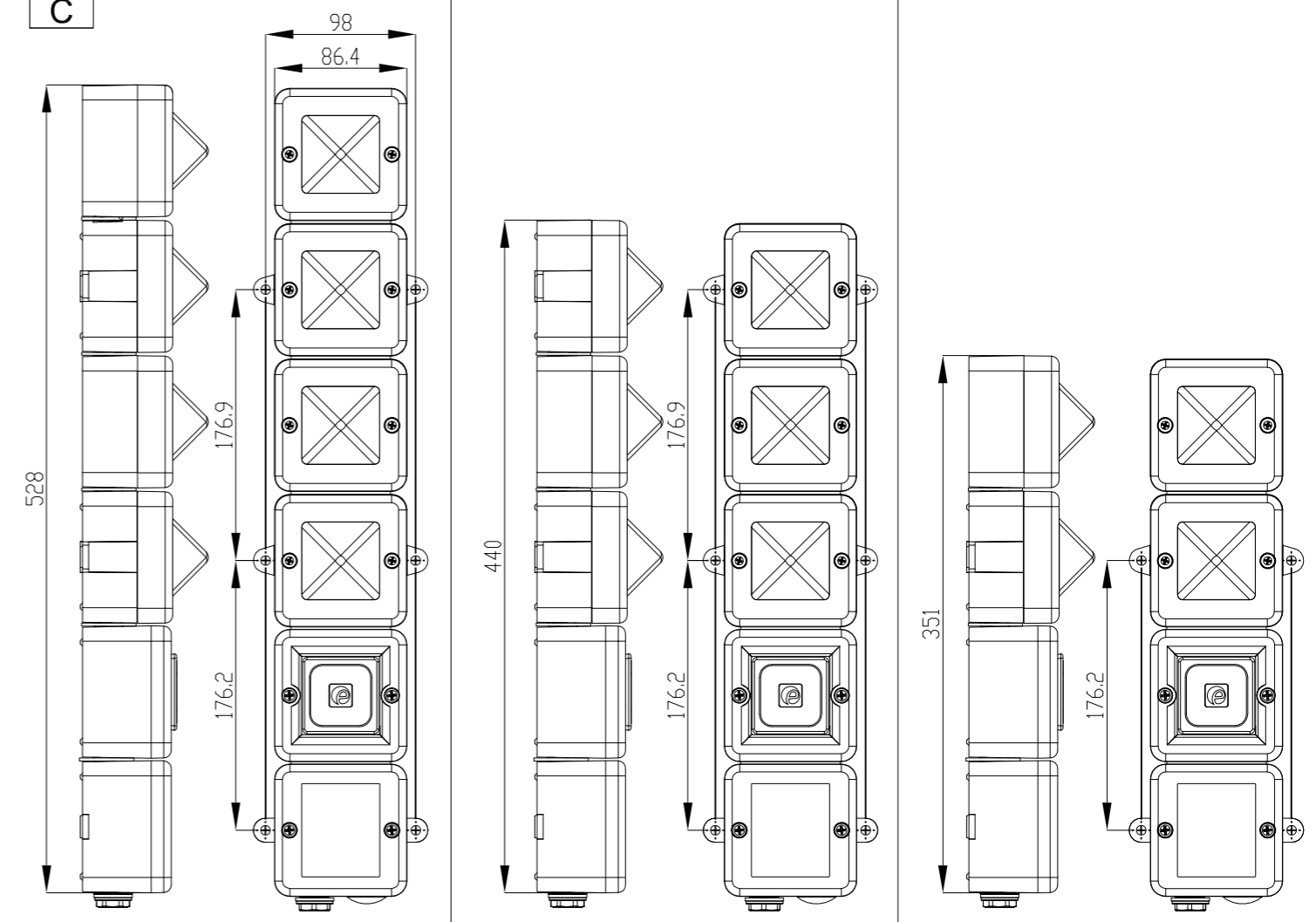
Nominal Voltage	Alarm Sounder	ST-L101HDC030[x]	ST-L101HDC030[x]	ST-L101XDC024[x]	ST-L101XDC024[x]	24V DC
Voltage Range	10 - 30 V DC	10 - 30 V DC	10 - 30 V DC	20 - 28 V DC	20 - 28 V DC	20 - 28 V DC
Current	15mA	157mA	157mA	250mA	250mA	829mA
Max Current	15mA	166mA	166mA	271mA	271mA	889mA

3 STA4DC024[x]-UL

Tel: +44 (0)2 8743 8880 Fax: +44 (0)20 8740 4200
 mail: sales@e2s.com web: www.e2s.com



C



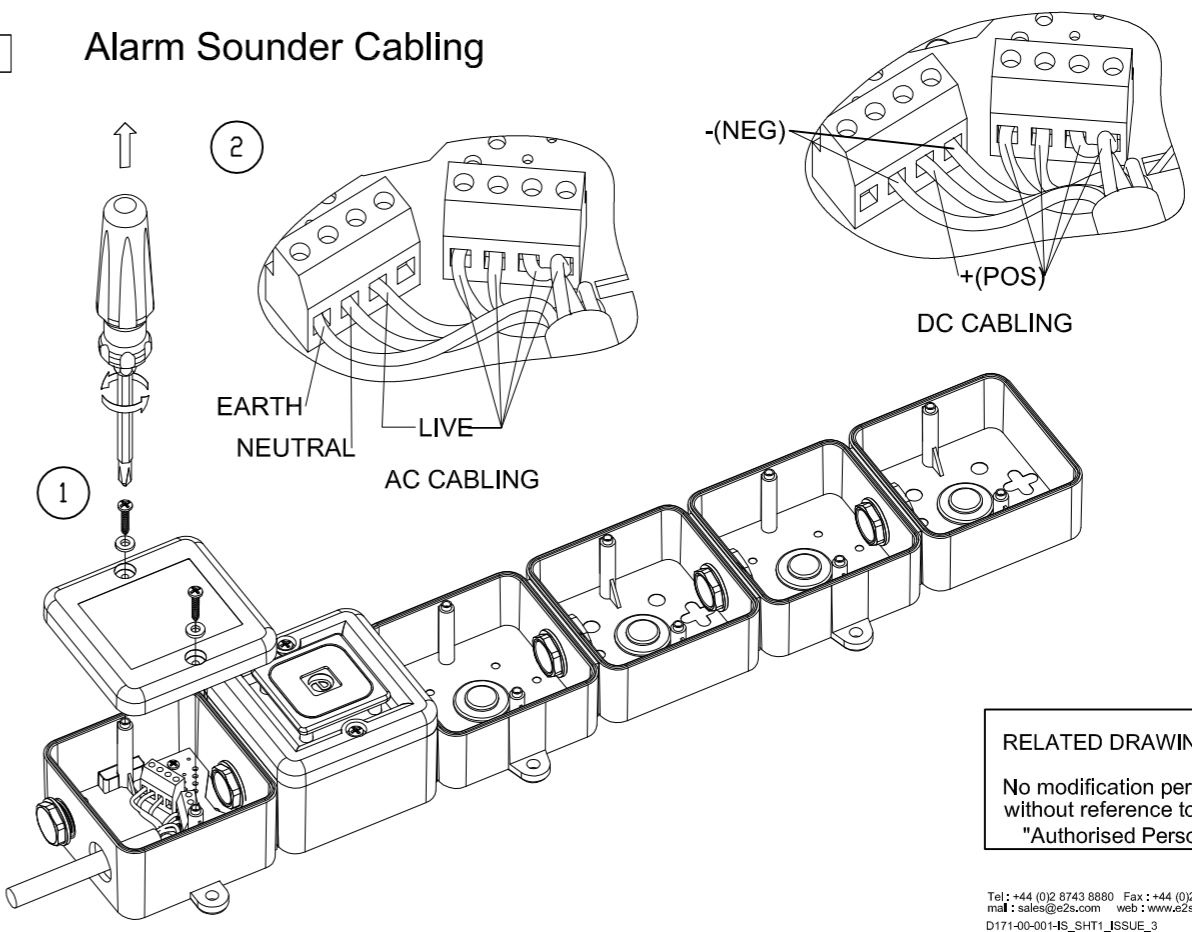
STA4 with Sounder and 4 Beacons fitted.

STA3 with Sounder and 3 Beacons fitted.

STA2 with Sounder and 2 Beacons fitted.

D

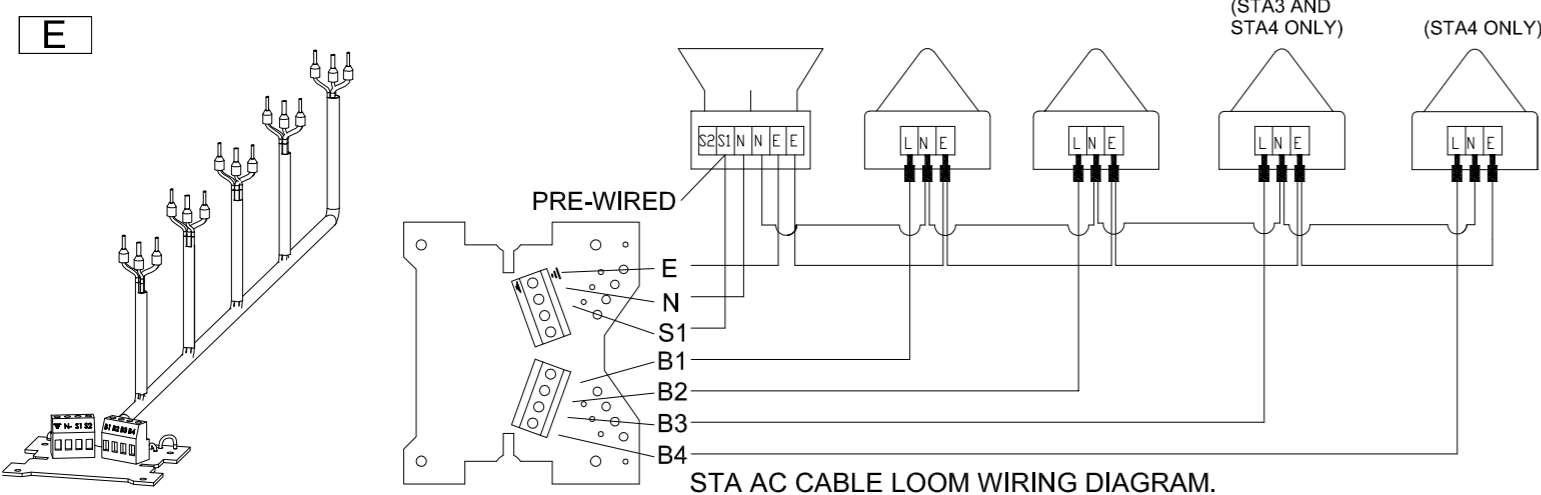
Alarm Sounder Cabling



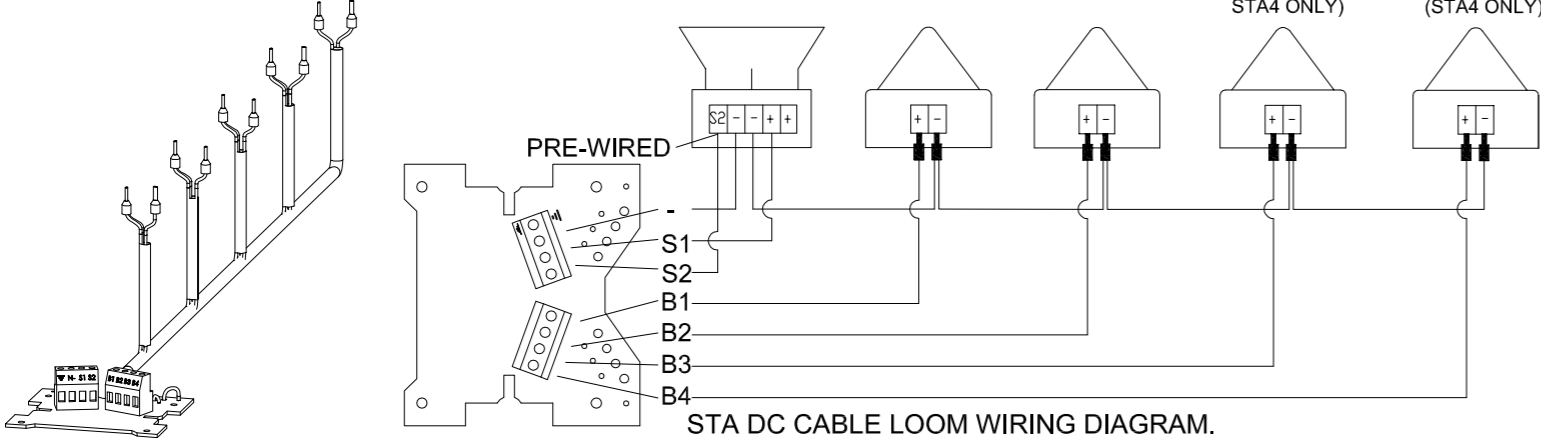
RELATED DRAWING
 No modification permitted without reference to the "Authorised Person"

Tel: +44 (0)2 8743 8880 Fax: +44 (0)20 8740 4200
 mail: sales@e2s.com web: www.e2s.com
 D171-00-001-HS_SHT1_ISSUE_3





STA AC CABLE LOOM PRE-INSTALLED.



STA DC CABLE LOOM PRE-INSTALLED.

Tel: +44 (0)2 8743 8880 Fax: +44 (0)20 8740 4200
 mail: sales@e2s.com web: www.e2s.com

