

A

# SPECTRA

Trumpet Horn LED Array  
 IP Rating: IP65  
 Temp: -25°C to +50°C  
 Unit weight: 215g  
 CE

Order code Voltage  
 H100TL030G/x 12-30V DC  
 • 12V dc 10mA  
 • 24V dc 24mA

• Beacon Current Consumption  
 • 12V dc 74mA  
 • 24V dc 80mA

H100TL230G/x 90-260V AC  
 • 115V ac 50/60Hz 19mA  
 • 230V ac 50/60Hz 10mA

• Beacon Current Consumption  
 • 115V ac 50/60Hz 119mA  
 • 230V ac 50/60Hz 32mA

# H100 TL

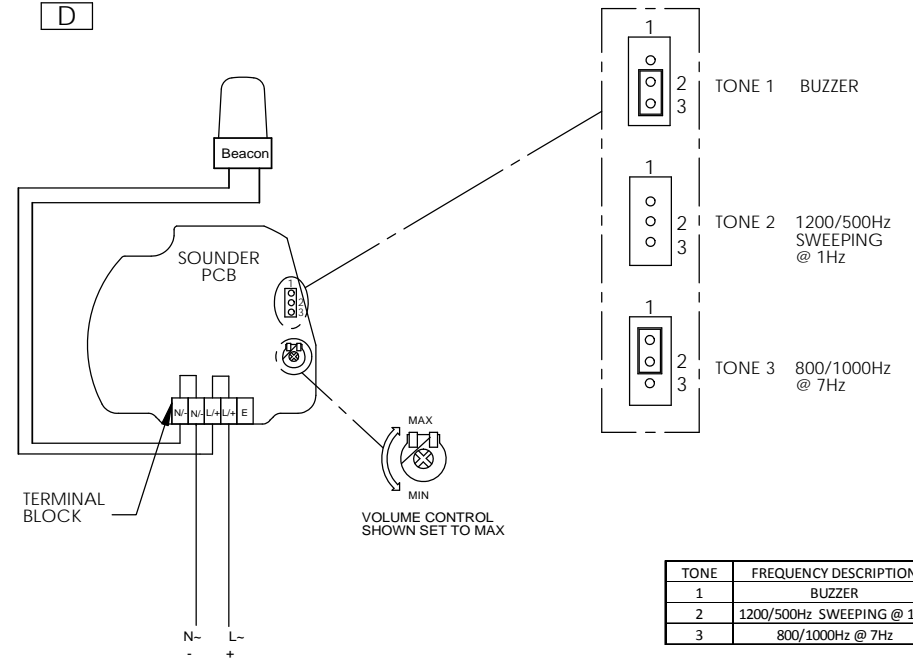
Dimensions :  $\varnothing 85 \times 241.2\text{mm}$   
 1.5mm<sup>2</sup> terminals  
 Cable entry: 1 x 5-7mm push  
 through grommet

x = Lens colour  
 R = Red  
 A = Amber  
 B = Blue  
 G = Green  
 Y = Yellow

Tel : +44 (0)2 8743 8880 Fax : +44 (0)20 8740 4200  
 mail : sales@e2s.com web : www.e2s.com



D



TONE	FREQUENCY DESCRIPTION
1	BUZZER
2	1200/500Hz SWEEPING @ 1Hz
3	800/1000Hz @ 7Hz



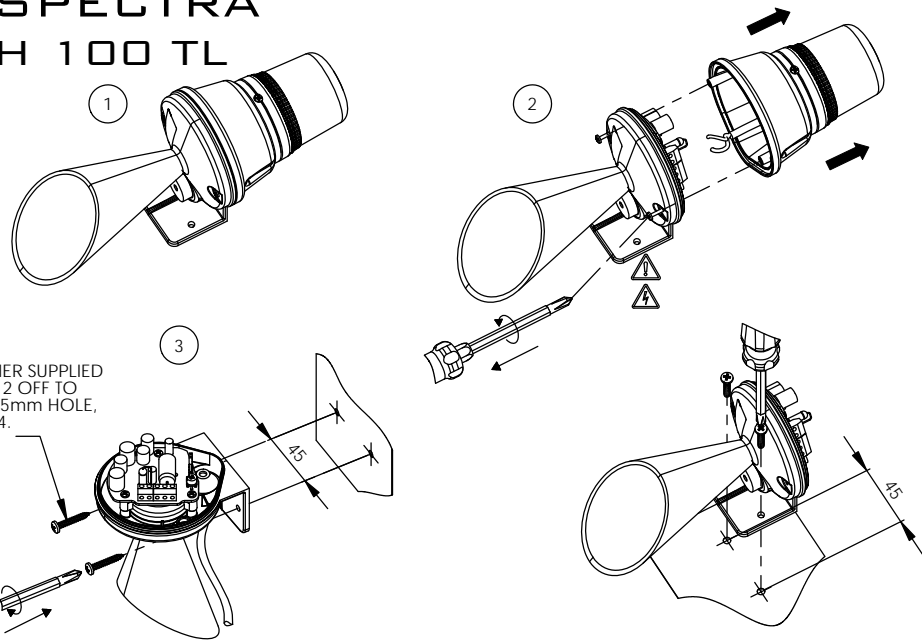
B

- ⚠ ATTENTION:** Installation must be carried out by an electrician in compliance with the latest codes and regulations.
- ⚠ ATTENTION:** Disconnect from power source before installation or service to prevent electric shock.
- ⚠ ATTENTION:** On strobe beacons allow a minimum of 2 minutes for hazardous high voltage to discharge from unit.
- ⚠ ATTENTION:** Lens on unit will be hot allow to cool prior to removal.

C



# A SPECTRA H 100 TL



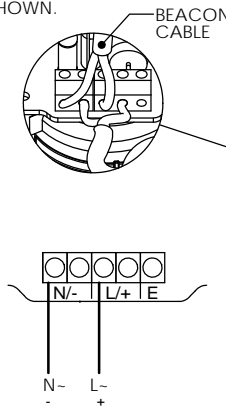
CUSTOMER SUPPLIED  
SCREWS 2 OFF TO  
SUIT Ø4.5mm HOLE,  
No. 8/M4.

Tel: +44 (0)2 8743 8880 Fax: +44 (0)20 8740 4200  
mail: sales@e2s.com web: www.e2s.com



# C

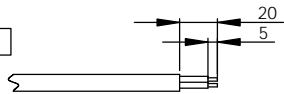
8 CONNECT THE  
BEACON CABLES  
TO TERMINAL AS  
SHOWN.



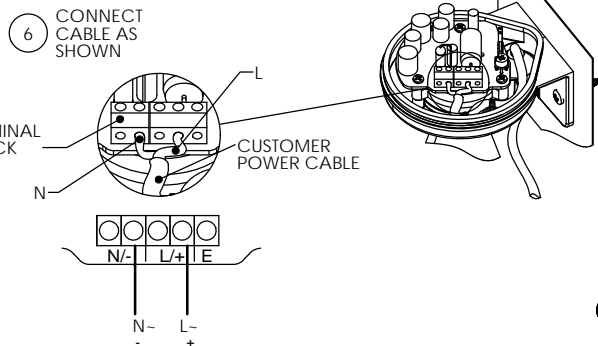
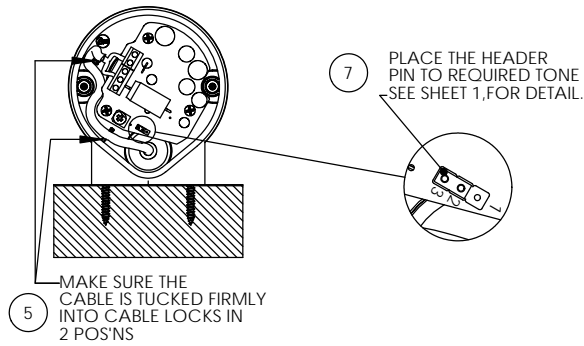
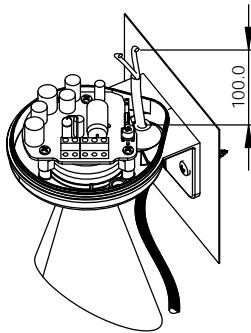
TERMINAL BLOCK	A/C INPUT	D/C INPUT
N/-	N-	-
N/-	N-(FROM BEACON)	-(FROM BEACON)
L/+	L-	+
L/+	L-(FROM BEACON)	+(FROM BEACON)
E		



# B



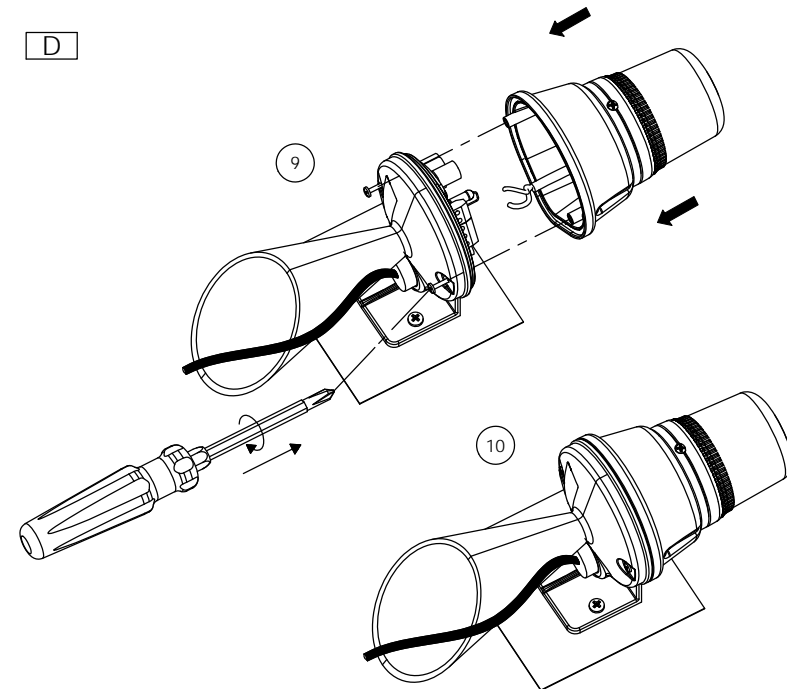
4 INSERT CABLE  
THROUGH GROMMET,  
STRIP CABLE TO LENGTH.



Dimensions in mm



# D



D152-00-201-05\_SHT2\_ISSUE\_1

