

BExCP3A-BG/BExCP3B-BG Break Glass Call Point

The SIL 2 compliant BExCP3A-BG and BExCP3B-BG break glass manual call points are approved for Zone 1, 2, 21 and 22 hazardous areas for the control of fire and gas alarm systems.

Available with and without monitoring resistors all versions are certified to ATEX and IECEx standards. The BEx range features enclosures manufactured from corrosion proof, marine grade, copper free LM6 (A413) aluminium with a chromate and powder coat finish.

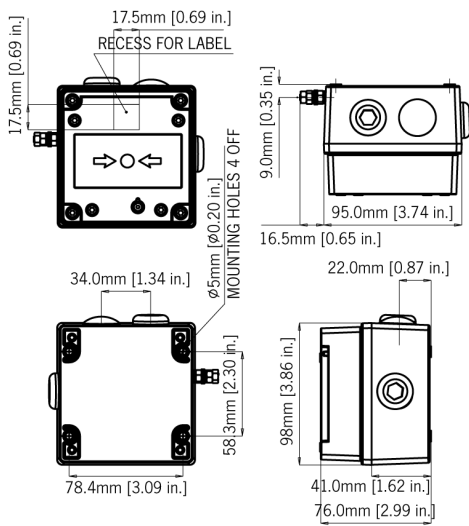
Options

- Alternative housing colours are available to meet specific requirements.
- DIN rail mounted terminal blocks: 8 × 2.5mm²
- Stainless Steel lift flap
- Metalised Polyester "Duty" label.
- Series and/or End of Line resistors.

Approvals

- ATEX certificate: Sira 09ATEX3286X,
IEC 60079-0:2007 Ed 5, EN 60079-1:2004,
EN 60079-7:2007, IEC 60079-18:2009 Ed 3,
EN 61241-1:2004
- IECEx certificate: IECEx SIR 09.0121X,
IEC 60079-0:2007-10 Edition: 5,
IEC 60079-1:2003 Edition: 5,
IEC 60079-18:2009 Edition: 3,
IEC 60079-7:2006-07 Edition: 4,
IEC 61241-1:2004 Edition: 1
- INMETRO certificate: 10HEx-0011X
- GOST-R certificate: POCC GB.JB05.B03365
- SIL 2 certified to IEC 61508 (2010)
- Complies with design requirements of EN54-11





Specification

BExCP3A-BG:	II 2G Ex d e IIC T6 Gb II 2D Ex t IIIC T60°C Db IP66
BExCP3B-BG:	II 2G Ex d e mb IIC T4 Gb II 2D Ex t IIIC T70°C Db IP66
Ambient:	Ta = -40°C to +55°C [-40° to +131°F] (+50°C for BExCP3B)
Ingress protection:	IP66
Enclosure material:	Marine grade copper free LM6 Aluminium
Enclosure finish:	Chromated & powder coated finish: anti-corrosion.
Colour:	RAL3000 Red (others available on request)
Cable entries:	2 x M20 clearance top and 1 x M20 clearance side. Back box can be rotated to give 2 x bottom and 1 x side entries.
Stopping plugs:	2 x Ex e nylon plugs as standard Brass and stainless steel plugs optional
Terminals:	6 × 4.0mm ² cables or 8 × 2.5mm ² DINrail
Weight:	0.8Kg

Part Codes

Version:	Part code:	Description:
Type:	BExCP3A-BG BExCP3B-BG	A type - no end of line devices B type - choice of end of line devices
Terminals:	ST DR	ST: Standard DR: DINrail (only on BExCP3B type)
Lift flap:	LF NF	Lift flap No lift flap
Duty label:	NL DL	No duty label Duty label required - specify contents
Colour:	RD XX	Red enclosure colour Other enclosure colour - contact sales
Voltage:	48V 24V 12V 6V	System voltage (only required for BExCP3B type)
E.O.L. Module: [Exxx]	ExxxR ED1 ExxxZ	Resistor value in Ohms e.g. E470R = 470 Ohm Diode IN4007 = ED1 Zener diode e.g. E5V1Z = 5.1V (only required for BExCP3B type)
Series Module: [Sxxx]	SxxxR SD1 SxxxZ	Resistor value in Ohms e.g. S1K5R = 1.5K Ohm Diode IN4007 = SD1 Zener diode e.g. S5V1Z = 5.1V (only required for BExCP3B type)
Accessories:	SP65-0001-A2 SP65-0001-A4 SP65-0002-A2 SP65-0002-A4	Pole Mount Bracket Kit 2" St/St A2 (304) Pole Mount Bracket Kit 2" St/St A4 (316) Sunshade - St/St A2 (304) Sunshade - St/St A4 (316)

Versions

Version:	Voltage:	Switch:	Terminals:	Cable entries:
BExCP3A-BG	250V ac Max. 50V dc Max.	5.0A Max. 1.0A Max.	6 × 4mm ² DINrail	2 x M20 Top/Bottom 1 x M20 Left/Right

Coding: II 2G Ex d e IIC T6 Gb Ta = -40°C to +55°C
II 2D Ex t IIIC T60°C Db IP66

Version:	Nom./Max. Voltage:	Switch:	Terminals:	Cable entries:	Min. EOL / Series Value:[]
BExCP3B-BG	48V/56V 24V/28V 12V/15V 6V/9V	56V dc Max. Rating <50V: 1.0A >50V:	6 × 4mm ² or 2 x M20 8 × 2.5mm ² DINrail	2 x M20 Top/Bottom 1 x M20 Left/Right	1K8 470R 120R 47R

E2S Warning Signals sales@e2s.com www.e2s.com

No liability is accepted for any consequence of the use of this document. The technical specification of this unit is subject to change without notice due to our policy of continuous development. This unit is subject to our standard conditions of sale, a copy of which is available on request.