

B450TLA LED Traffic Light

The B450 series of traffic light beacons are available in single E27 filament lamp, dual E14 filament lamp or high output L.E.D array versions.

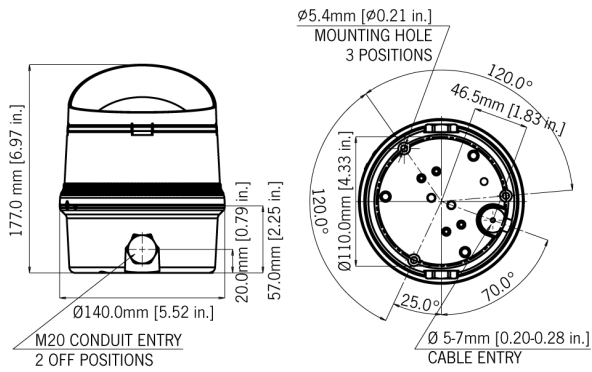
Features

- Bayonet fixing lens.
- Anti-tamper locking screw.
- Stainless steel fixings.
- Unit is supplied with a clear prismatic lens to optimise visibility in applications with high ambient light levels.

Approvals

- GOST-R certificate: POCC G.B.JB05.H00144.





Specification

Light source:	High output L.E.D.
Light output:	24 x L.E.D. array
Function:	Permanent
L.E.D. colours:	Amber, Blue, Green, Red & White
Peak/Effective Intensity cd:	89 cd* - measured ref. to I.E.S.
Lens type:	Prismatic
Mounting:	Surface mount (Wall mount bracket available)
Entries:	1 x 5-7mm push through grommet 2 x M20 cable entry
Dimensions:	ø140 x 177mm
Ingress protection:	IP65
Housing material:	High impact UL94 V0 (f1) PC
Terminals:	0.5 to 4.0mm ²
Operating temp:	-25 to +50°C [-13° to +122°F]
Storage temp:	-40 to +70°C [-40° to 158°F]
Relative humidity:	90% at 20°C [68°F]
*Candela measurements representative of performance with clear lens at optimum voltage.	

Part Codes

Version:	Part code:
10-30V dc	B450TLA030B/[x]
90-230V ac 50/60Hz	B450TLA230B/[x]

[x] = Lens colour: A: Amber
B: Blue
G: Green
R: Red
W: White

Note: B450TLA units are supplied with 'clear' lenses to maximise the light output in environments with high ambient light levels.

Mounting brackets:

MB-B450T-S	Mounting bracket kit for a single B450 type unit.
MB-B450T-M	Mounting bracket kit for linked multiple B450 type units.

Note: Multiple unit connector is supplied with each product.

Current Consumption

Version:		Current mA:
10-30V dc		130mA
90-230V ac	50/60Hz	10-30mA

AUTHORIZED DISTRIBUTOR:
GasDetectorsUSA.com
Houston, Texas USA
sales@GasDetectorsUSA.com
832-615-3588