

1

# SPECTRA B400RTH

Rotating Beacon  
G6,35/GY6,35 Halogen Bulb  
IP Rating: IP65  
Temp: -25°C to +50°C  
Unit weight: 578g  
CE

Order code	Voltage
B400RTH012B/x	12V DC 3000mA
B400RTH024B/x	24V DC 1540mA
B400RTH048B/x	48V DC/AC 840mA

B400RTH115B/x	115V AC 338mA
B400RTH230B/x	230V AC 186mA

Mountings  
B400RAB001 Right angle bracket  
B400TMA001 Tube mounting assembly

Dimensions : Ø140 x 225mm  
1.5mm<sup>2</sup> terminals  
Cable entry: 1 x 5-7mm push through  
grommet  
2 x M20 cable entry ( IP65)

x = Lens colour  
R = Red                      A = Amber  
B = Blue                     C = Clear  
G = Green                    Y = Yellow

Bulb Type	G6,35 / GY6,35	
E2S Part No.	Bulb	Beacon Type
BJC35W12VCL	12V 35W	12V
BJC35W24VCL	24V 35W	24V
BJC20W24VCL	24V 20W x 2	48V
BJCD40W120VCL	115V 40W	115V
BJCD40W230VCL	230V 40W	230V

Tel : +44 (0)20 8743 8880 Fax : +44 (0)20 8740 4200  
mail : sales@e2s.com web : www.e2s.com



2



**ATTENTION:** Installation must be carried out by an electrician in compliance with the latest codes and regulations.



**ATTENTION:** Disconnect from power source before installation or service to prevent electric shock.



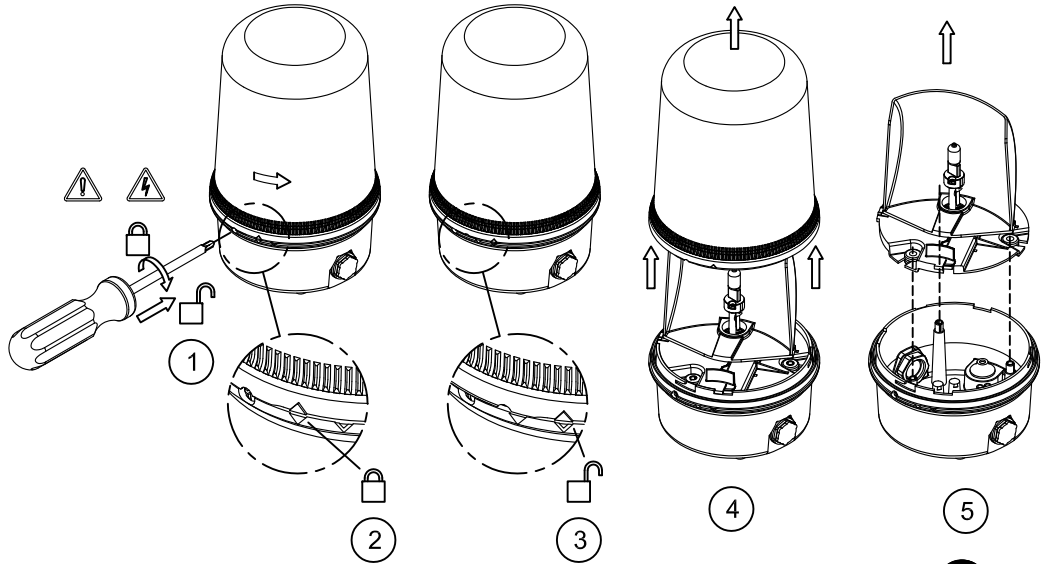
**ATTENTION:** Lens on unit will be hot allow to cool prior to removal.



**ATTENTION:** Do not touch the surface of halogen bulb when changing.



# A SPECTRA B400RTH



Tel : +44 (0)20 8743 8880 Fax : +44 (0)20 8740 4200  
mail : sales@e2s.com web : www.e2s.com

