

1

SPECTRA B400FLH

Flashing Beacon
 G6,35/GY6,35 Halogen bulb
 Three selectable frequencies on PCB
 IP Rating: IP65
 Temp: -25°C to +50°C
 Unit weight: 535g
 CE

Dimensions : Ø140 x 225mm
 1.5mm² terminals
 Cable entry: 1 x 5-7mm push through
 grommet
 2 x M20 cable entry (IP65)

Order code Voltage
 B400FLH012B/x 12V DC 3.1A
 B400FLH024B/x 24V DC 2.05A

x = Lens colour
 R = Red A = Amber
 B = Blue C = Clear
 G = Green Y = Yellow

B400FLH115B/x 115V AC 321mA
 B400FLH230B/x 230V AC 178mA

Bulb Type G6,35 / GY6,35

E2S Part No.	Version
BJC35W12VCL	12V 35W
BJC35W24VCL	24V 35W
BJC40W120VCL	115V 40W
BJC40W230VCL	230V 40W

Mountings
 B400RAB001 Right angle bracket
 B400TMA001 Tube mounting assembly

Tel : +44 (0)20 8743 8880 Fax : +44 (0)20 8740 4200
 email : sales@e2s.com web : www.e2s.com



2

ATTENTION: Installation must be carried out by an electrician in compliance with the latest codes and regulations.

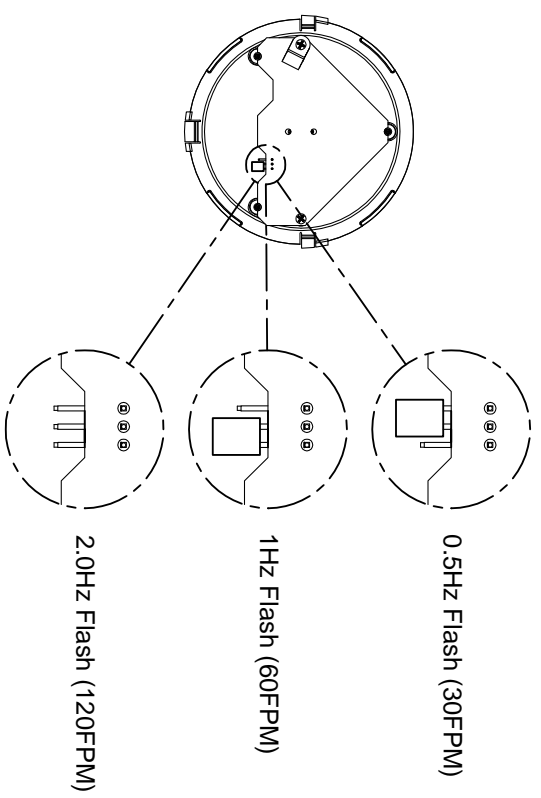
ATTENTION: Disconnect from power source before installation or service to prevent electric shock.

ATTENTION: Lens on unit will be hot allow to cool prior to removal.

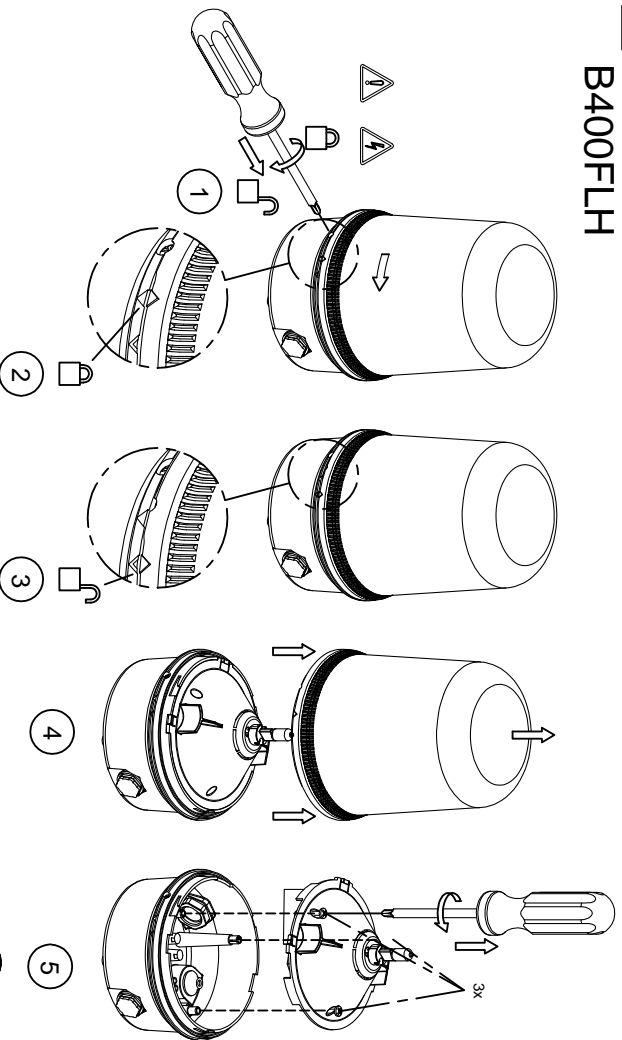
ATTENTION: Do not touch the surface of the halogen bulb when changing

3

B400FLH



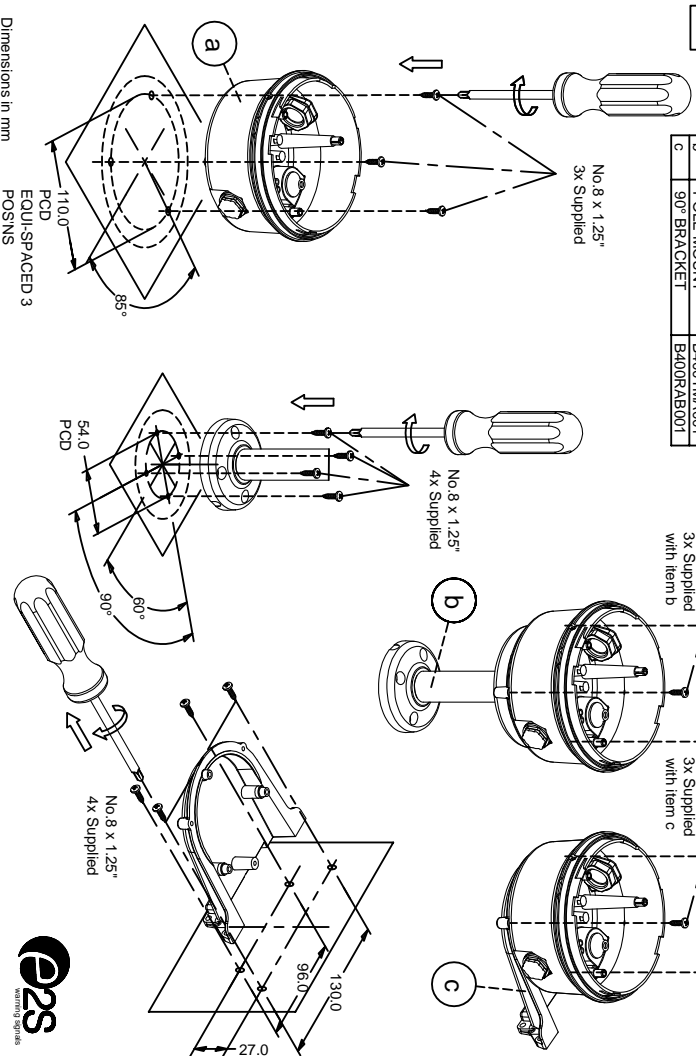
A SPECIKRA B400FLH



Tel : +44 (0)20 8743 8880 Fax : +44 (0)2 8740 4200
 email : sales@e2s.com web : www.e2s.com



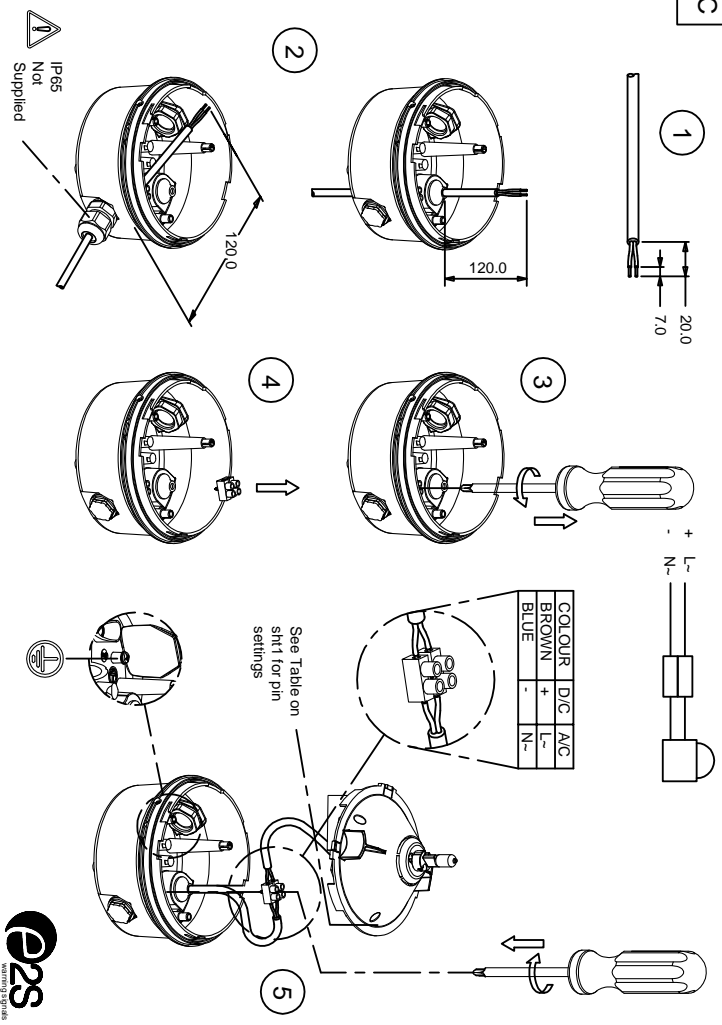
MOUNTING OPTIONS	
a	STANDARD BASE
b	POLE MOUNT
c	90° BRACKET
	B400TMA001
	B400RAB001



Dimensions in mm

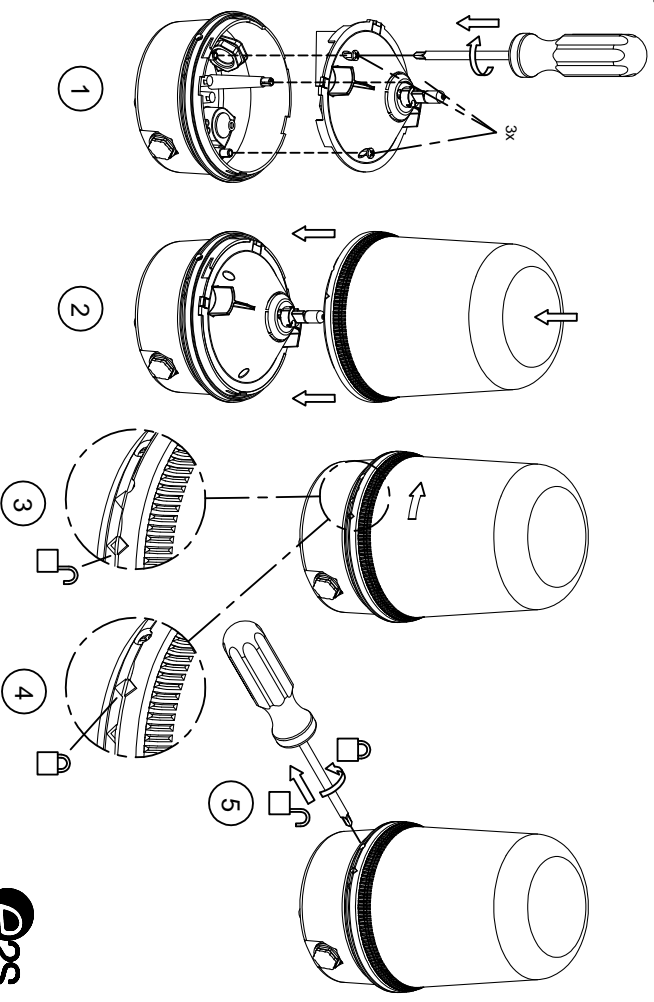
PCD
EQUI-SPACED 3
POSNS

C



IP65
Not
Supplied

D



0124-00-001-15-SHTZ-ISSUE B

