

AB105RTH Alarm Sounder & Rotating Beacon

The AB105RTH combines a compact high output 112dB(A) alarm sounder with a powerful 25W halogen rotating beacon.

The beacon and sounder can be operated from the same power source or controlled individually.

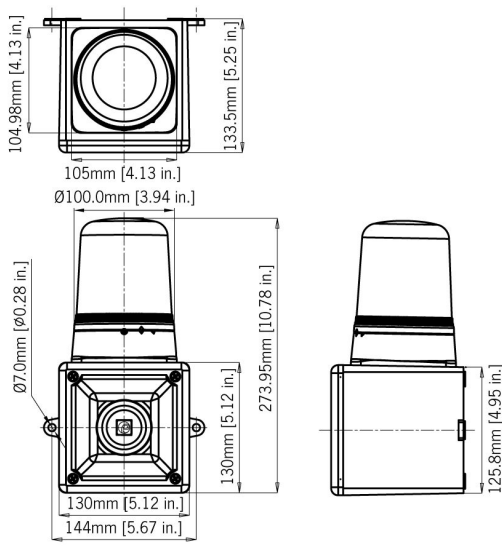
Features

- Automatic synchronisation on multi-sounder system.
- Continuously rated.
- Stainless steel fixings.
- Unit can be mounted using external lugs or internal BESA compatible fixing positions.
- Duplicate cable terminations (in & out for daisy-chain installations).
- Tropicalisation available on request.
- Available with custom tone configurations and frequencies.
- 'Programmable' version available:
 - 45 alarm tones
 - 4 remotely selectable stages
 - Any tone can be assigned to any stage
 - User configurable continuous frequency tone

Approvals

- Alarm sounder (A105N) VdS approved: EN54-3 (CPD 89/106/EEC).





Specification

Sounder:

Maximum output:	112dB(A) @ 1 metre [103dB(A) @ 10ft/3m]
Nominal output:	105dB(A) @ 1m +/- 3dB - Tone 2 [96dB(A) @ 10ft/3m]
No. of tones:	32 (UKOOA / PFEER compliant)
No. of stages:	3
Volume control:	Max. 105dB(A); Min. 96dB(A) - Tone 2
Effective range:	60m/197ft @ 1KHz
Stage switching:	Negative Reverse polarity stage switching on DC units.

Beacon:

Light source:	Halogen Bulb G6,35 / GY6,35.
Light output:	max 25W
Rotation:	180 RPM (+/-30RPM).
Peak Candela:	821 cd
Candela:	125 cd* (effective intensity)
Lens colours:	Amber, Blue, Clear, Green, Red & Yellow
Drive life:	> 5,000 hrs

General:

Voltages DC:	12V dc; 24V dc
Voltages AC:	115V ac; 230V ac
Ingress protection:	IP65
Housing material:	High impact UL94 V0 & 5VA FR ABS
Lens material:	UV stable PC UL94 V0 FR Bayonet lens fixing, Anti-tamper locking screw.
Colour:	Red (RAL3000) and grey (RAL7038)
Cable entries:	2 x M20 clearance gland entries in side & back
Terminals:	0.5 to 1.5mm ² cables.
Operating temp:	-25 to +55°C [-13° to +131°F]
Storage temp:	-40 to +70°C [-40° to +158°F]
Relative humidity:	90% at 20°C [68°F]
Weight :	DC: 1.00kg/2.2lbs AC:1.25kg/2.75lbs

Candela measurements representative of performance with clear lens at optimum voltage.

SPL data +/-3dB(A). Measured at optimum voltage.

Part Codes

Version:	Part code:	Wattage:
12V dc	AB105RTHDC12 [x]/[y]	20W
24V dc	AB105RTHDC24[x]/[y]	20W
115V ac	AB105RTHAC115[x]/[y]	25W
230V ac	AB105RTHAC230[x]/[y]	25W

[x] = Housing colour:

G: Grey R: Red

[y] = Lens colour:

A: Amber B: Blue C: Clear
G: Green R: Red Y: Yellow

Suffix part number with 'P' for programmable, 4 stage, 45 tone version.

Alarm Sounder

Version:		Voltage:	Current:
12/24V dc	□	10-30V dc	25mA*
115V ac	50/60Hz	+/-10%	20mA
230V ac	50/60Hz	+/-10%	15mA

* current at nominal voltage on Tone 2

Rotating Beacon

Version:		Wattage:	Current m :
12V dc		20W	1.72A
24V dc	□	20W	910mA
115V ac	50/60Hz	25W	216mA
230V ac	50/60Hz	25W	117mA

Tone table

S 1	Description	S 2	S 3
T 1	340 Hz Continuous	T 2	T 5
T 2	800/1000Hz @ 0.25 sec Alternating	T 17	T 5
T 3	500/1200Hz @ 0.3Hz 0.5 sec Slow Whoop	T 2	T 5
T 4	800/1000Hz @ 1Hz Sweeping	T 6	T 5
T 5	2400Hz Continuous	T 3	T 20
T 6	2400/2900Hz @ 7Hz Sweeping	T 7	T 5
T 7	2400/2900Hz @ 1Hz Sweeping	T 10	T 5
T 8	500/1200/500Hz @ 0.3Hz Sweeping	T 2	T 5
T 9	1200/500Hz @ 1Hz - DIN / PFEER P.T.A.P.	T 15	T 2
T 10	2400/2900Hz @ 2Hz Alternating	T 7	T 5
T 11	1000Hz @ 1Hz Intermittent	T 2	T 5
T 12	800/1000Hz @ 0.875Hz Alternating	T 4	T 5
T 13	2400Hz @ 1Hz Intermittent	T 15	T 5
T 14	800Hz 0.25sec on, 1 sec off Intermittent	T 4	T 5
T 15	800Hz Continuous	T 2	T 5
T 16	660Hz 150mS on, 150mS off Intermittent	T 18	T 5
T 17	544Hz (100mS)/440Hz (400mS) - NF S 32-001	T 2	T 27
T 18	660Hz 1.8sec on, 1.8sec off Intermittent	T 2	T 5
T 19	1.4KHz-1.6KHz 1s, 1.6KHz-1.4KHz 0.5s -NFC48-265	T 2	T 5
T 20	660Hz Continuous	T 2	T 5
T 21	554Hz/440Hz @ 1Hz Alternating	T 2	T 5
T 22	544Hz @ 0.875 sec. Intermittent	T 2	T 5
T 23	800Hz @ 2Hz Intermittent	T 6	T 5
T 24	800/1000Hz @ 50Hz Sweeping	T 29	T 5
T 25	2400/2900Hz @ 50Hz Sweeping	T 29	T 5
T 26	Bell	T 2	T 15
T 27	554Hz Continuous	T 26	T 5
T 28	440Hz Continuous	T 2	T 5
T 29	800/1000Hz @ 7Hz Sweeping	T 7	T 5
T 30	300Hz Continuous	T 2	T 5
T 31	660/1200Hz @ 1Hz Sweeping	T 26	T 5
T 32	Two T chime.	T 26	T 15

AUTHORIZED DISTRIBUTOR:
GasDetectorsUSA.com
Houston, Texas USA
sales@GasDetectorsUSA.com
832-615-3588

E2S Warning Signals

No liability is accepted for any consequence of the use of this document. The technical specification of this unit is subject to change without notice due to our policy of continual product development. All dimensions are approximate. This unit is sold subject to our standard conditions of sale, a copy of which is available on request.

15 Dec 2014