

GG-H2S-EXP HYDROGEN SULFIDE SENSOR



Installation and Operation Manual

Warning

Use this product only in the manner described in this manual. If the equipment is used in a manner not specified by Calibration Technologies, the protection provided by the equipment may be impaired.

This equipment should be installed by qualified personnel.

**AUTHORIZED DISTRIBUTOR:
GasDetectorsUSA.com
Houston, Texas USA
sales@GasDetectorsUSA.com
832-615-3588**

Table of Contents

| | |
|----------------------------------|----|
| General description | 4 |
| Installation | 4 |
| Locating the sensor | 4 |
| Installation guidelines | 5 |
| Wiring | 6 |
| Operation | 7 |
| Start-up | 7 |
| Calibration | 7 |
| Maintenance | 9 |
| Specifications | 10 |
| Warranty | 11 |

For technical support, contact:

Calibration Technologies

920 N Trade Winds Pkwy
Columbia, MO 65201

866-394-5861

sales@ctiengineering.com
www.ctiengineering.com

General Description

The GG-H2S-EXP sensor is a +24 VDC, three-wire, 4/20 mA sensor for hydrogen sulfide which utilizes proven electrochemical sensor technology for fast and accurate detection. The 0 – 50 ppm detection range of the GG-H2S-EXP provides real-time continuous monitoring of hydrogen sulfide concentrations accurately down to 5 ppm without false alarms.

The GG-H2S-EXP provides an industry standard linear 4/20 mA output signal compatible with most gas detection systems and PLCs. The output signal is not affected by drastic temperature and moisture variations that can occur daily.

The transmitter circuit board is sealed in potting compound, protecting sensitive electronic components and copper tracing from corrosion.

Installation

Locating the sensor

One of the most important considerations when installing GG-H2S-EXP sensors is that they must be easily accessible for calibration and maintenance.

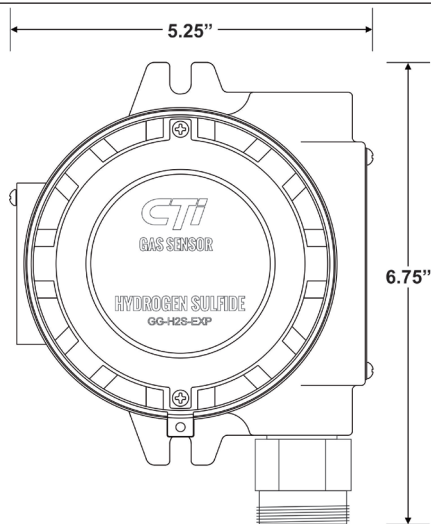
Since hydrogen sulfide is heavier than air, it will tend to accumulate in low-lying areas. Mount sensor near ground level or in a pit, typically 18" to 24" from the floor. As a general rule of thumb, try to mount sensors within 30 feet of potential H2S sources.

Caution: Remove protective label.

The sensor is shipped with a label installed over the gas diffusion port of the electrochemical cell to preserve cell life. The cell will not detect H2S vapors with this label installed. Remove label and discard during installation.

Installation Guidelines:

- Remove and discard the protective label
- Always mount the sensor vertically, with the sensor pointing down.
- Must be easily accessible for calibration and maintenance.
- Mount the sensor close to the potential leak source.
- Mount sensor near ground level, typically 18" to 24" from the floor.
- Take air movement and ventilation patterns into account.
- To prevent electrical interference, keep sensor and wire runs away from mercury vapor lights, variable speed drives, and radio repeaters.
- Protect sensor from physical damage (forklifts, etc.)
- If mounting on a wall with studs, the mounting screws should be screwed into the studs.
- Never mount the sensor in CA (controlled atmosphere) rooms because normal atmospheric levels of oxygen are required for operation.
- For highly critical locations, more than one sensor should be installed in each room.
- Mount sensor enclosure through the mounting holes as shown in **Figure 1**.

**Figure 1: Mounting Dimensions**

Wiring

Electrical wiring must comply with all applicable codes.

Electrical Power: 24 VDC regulated, 40 mA.

Output: Linear 4/20 mA output. Monitoring equipment may have a maximum input impedance of 700 ohms.

Cable Recommendation: 20/3 shielded cable (General Cable C2525A or equivalent). Length of cable to sensor should be no greater than 1,500 feet.

Monitoring: Monitoring equipment must be configured to indicate a fault if the signal is below 1 mA. All signals over 20 mA must be considered high gas concentrations. Alarm setpoints should not be lower than 10% of full-scale range.

Wiring Guidelines:

- Always use 3-conductor, insulated, stranded, shielded copper cable.
- Do not pull sensor wiring with AC power cables. This can cause electrical interference.
- If cable runs cannot be made without a splice, all splice connections should be soldered.
- Ground the shield at the main control panel. Connect the shield wire in the sensor terminal block labeled SHLD.
- Always disconnect power at the controller before performing any wiring at the sensor.
- To maintain NEMA/IP rating of the enclosure, conduit fittings of the same rating or better must be used.



Terminal Block Plug (Field Wiring):

SHLD: To case (earth) ground of monitoring equipment
 GND: To ground terminal of power supply
 +24V: To +24V terminal of power supply
 SIG: To signal input of monitoring equipment

Operation

Start-up

Sensor can be response tested and/or span calibrated immediately after power up. Allow 60 seconds for power up time delay of sensor to end (green power LED will flash during power up).

Start-Up Test:

- 1) One person exposes each sensor to calibration gas.
- 2) The second person stays at the control unit to determine that each sensor, when exposed to the gas, is connected to the proper input and responds, causing appropriate alarm functions.

LED functions (see Figure 2 on page 8)

Calibration

The GG-H2S-EXP sensor comes factory calibrated and should require only minimal adjustments after installation. There are two pots on the preamp that are used for calibration (see **Figure 2**).

Note: Never measure sensor output in mA. Always use mVDC or VDC voltmeter settings.

Zero Calibration: After the sensor is installed and has been powered up for a minimum of 8 hours, the unit can be zero calibrated by the following:

- Be sure the unit is in clean air.
- Adjust the Zero pot until the sensor outputs 40 mV from TP [-] to TP [+] (see Figure 2).

Note: To zero the sensor immediately after power up or cell replacement, unplug cell from the transmitter and adjust signal to 40 mV.

Span Calibration: Do not adjust the span pot without certified calibration gas! If span adjustment is required, use the following procedure:

- To enter calibration mode (disables all filtering and averaging), turn the Zero pot clockwise 1/4 turn and then back again. Successful entry into calibration mode will be indicated by the Power (green) LED blinking twice per second. Calibration mode will time out automatically after 4 minutes.
- Apply span gas at 0.5 to 0.8 L/min.
- Sensor should react to gas within 15 seconds.
- Once the output signal has peaked (or 2 minutes maximum) adjust the Span pot until the correct output is achieved (see **Figure 2**). With full-scale span gas, the calculated span value is 200 mV. ((span gas / sensor range * 16 + 4) (mA output))

Note: Below are a few response characteristics which may be an indication that the gas sensor is at or near the end of its useful life. If any of these are observed, the sensor element should be replaced:

- Slow response to / recovery from calibration gas
- Failure of the output to reach 50% of the calibration gas value prior to span adjustment.
- Unable to achieve correct output during span.

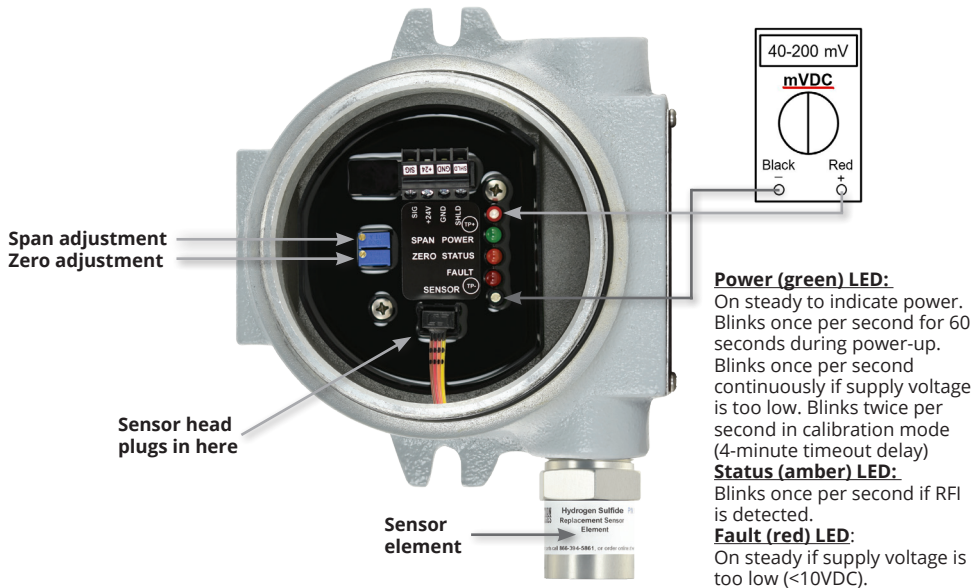


Figure 2: Sensor board components and zero/span adjustment

Maintenance

The GG-H2S-EXP was designed for long life and minimal maintenance. For proper operation, it is essential that the test and calibration schedule be adhered to. Calibration Technologies recommends the following maintenance schedule

Maintenance Guidelines:

- The sensor is shipped with a factory calibration. Sensor should be calibrated 6 months from purchase date.
- Calibrate the detector at least once every 6 months.
- Calibration should be performed with certified calibration gas. Calibration kits and replacement cylinders are available from Calibration Technologies.
- All tests and calibrations must be logged.
- Always disconnect power at the controller before performing any wiring at the sensor.

Sensor Life: These electrochemical cells are extremely reliable, but several things can cause the cell chemicals to become depleted including:

- a period of time
- exposure to high temperatures
- continuous, long term exposure to hydrogen sulfide

When the cell becomes depleted, the unit will give no indication of failure other than that the sensor will not respond. For this reason, it is **absolutely essential that these sensors be calibrated on a regular basis**. Typical cell life is three years. When the cell becomes depleted, a replacement cell can be obtained from Calibration Technologies. Simply unplug the cell's ribbon cable from the transmitter, unscrew cell from enclosure, discard, and replace it with a new one.

The new cell can be span-calibrated immediately, however, an 8-hour warm-up period is required before zeroing, if necessary.

Replacement sensor element:
Order number: **GG-H2S-RC-EXP**

Specifications

Input Power: +24 VDC, 40 mA

Input Power: +24 VDC, 40 mA

Detection Principle: Electrochemical

Detection Method: Diffusion

Gases: Hydrogen sulfide (H₂S)

Ranges:

0-50 ppm

Output Signal:

Linear 4/20 mA (max input impedance: 700 Ohms)

Response Time:

T₅₀ = less than 30 seconds

T₉₀ = less than 120 seconds

Accuracy:

+/- 5% of full-scale, but dependent on calibration gas accuracy and time since last calibration

Zero Drift: Less than 0.1% of full-scale per month, non-cumulative

Span Drift: Application dependent, but generally less than 3% per month

Linearity: +/- 0.5% of full-scale

Repeatability: +/- 1% of full-scale

Temperature Range:

-4°F to +122°F (-20°C to +50°C)

Humidity Range: 5% to 100% non-condensing

Dimensions: 6.75" high x 5.25" wide x 4.5" deep

Weight: 3.75 lbs

Power (green) LED: Blinks once per second for 60 seconds during power-up. If supply voltage is too low (<10VDC) or improperly grounded, will blink once per second continuously. Stays on steady to indicate power. Blinks twice per second in calibration mode (4-minute timeout delay).

Status (amber) LED: Blinks once per second if RFI (radio frequency interference) is detected.

Fault (red) LED: Stays on steady if supply voltage is too low (<10VDC).

Wiring Connections: 3-conductor, shielded, stranded, ≥ 20 AWG cable (General Cable C2525A or equivalent) up to 1500 ft.

Terminal Block Plug (Field Wiring): 26-12 AWG, torque 4.5 lbs-in.

Enclosure: Copper-free aluminum body, epoxy powder coat finish, neoprene gasket, for hazardous areas.

NEC/CEC:

Class I, Division 1 & 2, Groups B, C, D

Class II, Division 1, Groups E, F, G

Class II, Division 2, Groups F, G

Class III

NEMA/EEMAC: 3, 4, 4X, 7BCD, 9EFG

UL Standard: 1203

CSA Standard: C22.2 No. 30

FM Classification No.: 3615

ATEX Certificate KEMA 02 ATEX 2265U

IEC Standards EN:60079-0, EN:60079-1, EN:60529

Limited Warranty & Limitation of Liability

Calibration Technologies, Inc. (CTI) warrants this product to be free from defects in material and workmanship under normal use and service for a period of two years (including the cell), beginning on the date of shipment to the buyer. This warranty extends only to the sale of new and unused products to the original buyer. CTI's warranty obligation is limited, at CTI's option, to refund of the purchase price, repair, or replacement of a defective product that is returned to a CTI authorized service center within the warranty period. In no event shall CTI's liability hereunder exceed the purchase price actually paid by the buyer for the Product.

This warranty does not include:

- a) routine replacement of parts due to the normal wear and tear of the product arising from use;
- b) any product which in CTI's opinion, has been misused, altered, neglected or damaged by accident or abnormal conditions of operation, handling or use;
- c) any damage or defects attributable to repair of the product by any person other than an authorized dealer or contractor, or the installation of unapproved parts on the product

The obligations set forth in this warranty are conditional on:

- a) proper storage, installation, calibration, use, maintenance and compliance with the product manual instructions and any other applicable recommendations of CTI;
- b) the buyer promptly notifying CTI of any defect and, if required, promptly making the product available for correction. No goods shall be returned to CTI until receipt by the buyer of shipping instructions from CTI; and
- c) the right of CTI to require that the buyer provide proof of purchase such as the original invoice, bill of sale or packing slip to establish that the product is within the warranty period.

THE BUYER AGREES THAT THIS WARRANTY IS THE BUYER'S SOLE AND EXCLUSIVE REMEDY AND IS IN LIEU OF ALL OTHER WARRANTIES, EXPRESS OR IMPLIED, INCLUDING BUT NOT LIMITED TO ANY IMPLIED WARRANTY OF MERCHANTABILITY OR FITNESS FOR A PARTICULAR PURPOSE. CTI SHALL NOT BE LIABLE FOR ANY SPECIAL, INDIRECT, INCIDENTAL OR CONSEQUENTIAL DAMAGES OR LOSSES, INCLUDING LOSS OF DATA, WHETHER ARISING FROM BREACH OF WARRANTY OR BASED ON CONTRACT, TORT OR RELIANCE OR ANY OTHER THEORY



GG-H2S-EXP-DOC1-1
20171227

ctiengineering.com | 866-394-5861