

Exd, Weatherproof



Features

- Zone 1 and Zone 2 use.
- Ex d IIC T5/T6.
- *ATEX approved Ex II 2GD.
- BASEEFA certified.
- *UL listed for USA and Canada
 - Class I, Div. 1, Groups C & D.
 - Class I, Zone 1, AExd IIB.
- *CSA certified.
- IECEx certified Gb, Db.
- *GOST 'R' & 'K' certified.
- Chinese (CQST) certified.
- Brazilian (Inmetro) certified.
- Fluorescent.
- Filament.
- IP66 and IP67.
- Corrosion Resistant.
- Fluorescent version suitable for obstruction or warning lighting.
- Optional guard.

**Model dependent.*

Introduction

These certified steady beacons have been designed for use in harsh environmental conditions. The marine grade stainless steel or alloy enclosures are suitable for use offshore or onshore, where lightweight combined with corrosion resistance and strength is required.

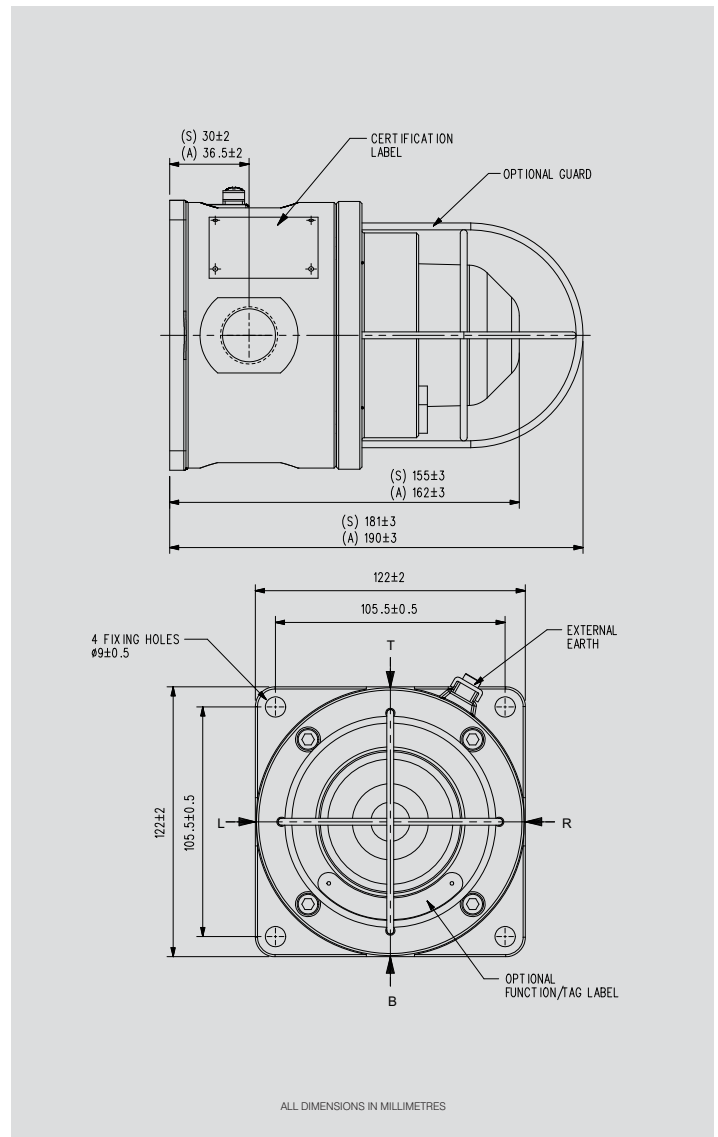
Units can be painted to customer specification and fitted with identification labels.

Authorized Distributor:
GasDetectorsUSA.com
Houston, TX USA
832-615-3588
sales@GasDetectorsUSA.com



Specification

Model:	SM87 LU1 – Fluorescent. SM87 LU3 – Filament.
Certification:	Certified to IEC60079-0, IEC60079-1, IEC60079-31 Certified to EN60079-0, EN60079-1, EN60079-31 ATEX Cert No. Baseefa03ATEX0222 IECEX Cert No. IECEX BAS 09.0059 SM87LU3 – Ex d IIC T5 Gb, Ex tb IIIC T100°C Db (Filament) -55°C to +70°C. Ex d IIC T6 Gb, Ex tb IIIC T70°C/T85°C Db (Filament) -55°C to +55°C. SM87LU1 – Ex d IIC T6 Gb, Ex tb IIIC T70°C/T85°C Db (Fluorescent) -20°C to +55°C. UL Listed for USA & Canada: – Class I, Div. 1, Groups C & D and – Class I, Zone 1, Listing No. E187894. SM87LU1 & LU3 – CSA Certified for Class 1, Div. 1 & 2, Group D. Certification No. 96406. CSA Certification to C22.2 Nos. 0, 0.4, 0.5, 9, 30–M1986, 94–M91, 137–M1981. Class 1 Group D. Enclosure 3/4. Cert. No. 96406. GOST 'R' Certification: 1 Exd IIC T4, Certification No. A-0756 GOST 'K' Certification: Exd ICC T4, Chinese (CQST) Certification: Exd IIC T4/T5/T6 Brazilian (Inmetro) Certification: BR-Ex d IIC T3/T4/T5/T6
Material:	Grade 316 ANC4B Stainless Steel or Aluminium Alloy LM25TF with glass lens.
Finish:	Epoxy paint finish as standard or to customer's specification.
Voltage:	24, 48V d.c., 110V 220V 240V 254V a.c. 50Hz as standard. 60Hz available if required.
Fluorescent:	10 Watt tube light output 600 Lumens (240V + 254V a.c. versions). 5 Watt tube max. light output 250 Lumens (d.c. versions & 110V a.c.).
Filament:	Single filament fitted as standard 10 watts. Others may be available, please contact MEDC with your requirements.
Power Consumption (LU1)	7 Watts for 24V d.c., 48V d.c., 110V a.c., 220V a.c. 14 Watts for 240V a.c. 15 Watts for 254V a.c.
Weight:	Stainless Steel – 3.8kg each. Alloy – 2.5kg.
Ingress Protection:	NEMA 4x & 6, IP66 & IP67.
Entries:	SM87 LU1 – Up to 3 x M20 or M25 (not on RHS). SM87 LU3 – Up to 4 x M20 or M25.
Terminals:	4 off for up to 2.5mm ² cable.



Ordering Requirements

The following code is designed to help in selection of the correct unit. Build up the reference number by inserting the code for each component into the appropriate box.

Model		Certification		Voltage		Lens Colour		Lens Guard		Entries		Tag/Duty		Finish	
Type	Code	Certification	Code	Voltage	Code	Guard	Code	Label	Code	Entries	Code	Finish	Code		
Fluorescent Exd (Alloy)	SM87LU1A†	ATEX	B	24V d.c.	024	None	N	None	N	M20	1	Red	R		
Fluorescent Exd (Stainless Steel)	SM87LU1S*	IECEX	J	48V d.c.	048	Yes	Y	Yes	Y*	M25	2	Blue	B		
Filament Exd (Alloy)	SM87LU3A†	UL Listed	UL	110V a.c.	110					1/2" NPT	3	Yellow	Y		
Filament Exd (Stainless Steel)	SM87LU3S*	CSA Certified	C	220V a.c.	220					3/4" NPT	4	Yellow/Black Stripes	X		
		GOST 'R' Certified	G	240V a.c.	240					Top	*T	Grey	G		
		GOST 'K' Certified	K	254Va.c.	254					Bottom	*B	White	W		
		Chinese (CQST)	Q							RHS (not on LU1)	*R	Special	S*		
		Inmetro	DM							LHS	*L				

* Not available UL Listed
† Not available CSA Certified.

Example:
An Exd fluorescent in alloy with a clear lens suitable for 24V d.c.,
2 x 20mm through entry, finished in grey would be our ref:
SM87LU3AB024CN1R1LNG.

* Prefix position with entry size code.
e.g. 1T1B=M20 Top and Bottom entries.

