

GNExCP6B-PB Push Button Call Point

The GNExCP6B manual call points are available as break glass, push button or tool reset versions. They are approved for Zone 1, 2, 21 and 22 hazardous areas for the control of fire and gas alarm systems.

All types are available with EOL or series resistors, diode or Zener diodes or an LED indicator and also with either single or double pole change over switches. All versions are certified to ATEX and IECEx standards. GNExCP6C versions are certified for ambient temperatures of +55°C.

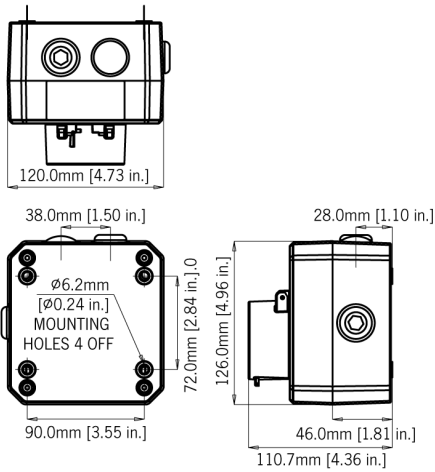
Options

- Alternative housing colours are available to meet specific requirements.
- Single or double pole c/o switch.
- DIN rail mounted terminal blocks: 8 × 2.5mm².
- Metalised polyester or stainless steel "Duty" label.
- Series and/or End of Line resistors, diodes & Zener diodes
- Indicator LED.

Approvals

- ATEX certificate: Sira 09ATEX3286X,
IEC 60079-0:2007 Ed 5, EN 60079-1:2004,
EN 60079-7:2007, IEC 60079-18:2009 Ed 3,
EN 61241-1:2004
- IECEx certificate: IECEx SIR 09.0121X,
IEC 60079-0:2007-10 Edition: 5,
IEC 60079-1:2003 Edition: 5,
IEC 60079-18:2009 Edition: 3,
IEC 60079-7:2006-07 Edition: 4,
IEC 61241-1:2004 Edition: 1
- SIL 2 certified to IEC 61508 (2010)





Specification

GNEExCP6B:	II 2G Ex d e mb IIC T4 Gb II 2D Ex t IIIC T80°C Db IP66
Ambient:	Ta = -40°C to +50°C/+55°C [-40° to +122°F/+131°F]
Ingress protection:	IP66
Housing material:	GRP - glass reinforced polyester (UV stable)
Colour:	RAL3000 Red (others available on request)
Cable entries:	2 x M20 clearance top and 1 x M20 clearance side. Back box can be rotated to give 2 x bottom and 1 x side entries.
Stopping plugs:	2 x Ex e nylon plugs as standard Brass and stainless steel plugs optional
Terminals:	6 × 4.0mm ² / 8 × 2.5mm ²
Weight:	1.3Kg/2.86lbs
Note:	For applications that do not require monitoring resistors, diodes or indicator LED's please see the GNEExCP6A-PB version. Data sheet reference: 1.3.05.

The GNEExCP6B call point can contain a maximum of two resistor or diode E.O.L. or series modules. The LED indicator can be combined with an EOL/resistor or diode.

Part Codes

Version:	Part code:	
Product type:	GNEExCP6B-PB	B type - choice of end of line devices
	GNEExCP6C-PB	C type - with +55C certified temperature
Switch Type: [s]	S	SPCO
	D	DPCO
Stopping plug material: [m]	N	Nylon
	B	Brass
	P	Nickel Plated
	S	Stainless Steel
Terminals: [t]	S	Standard 6 × 4mm ²
	D	DIN Rail 8 × 2.5mm ²
Duty label [d]:	N	No duty label
	P	Metallised Polyester
	S	Stainless Steel
Enclosure colour: [x]	RD, BL, GN, YW	Red, Blue, Green, Yellow
	RW, YB, BK	Red/White, Yellow/Black, Black
Voltage: [v]	48, 24	48V, 24V, 12V, 6V
	12, 06	System voltage
E.O.L. Module: [Exxx]	ExxxR	Resistor value in Ohms e.g. E470R = 470 Ohm
	ED1	Diode 1N4007 = ED1
	ExxxZ	Zener diode e.g. E5V1Z = 5.1V
Series Module: [Sxxx]	SxxxR	Resistor value in Ohms e.g. S1K5R = 1.5K Ohm
	SD1	Diode 1N4007 = SD1
	SxxxZ	Zener diode e.g. S5V1Z = 5.1V
	LED	LED = LED indicator
Accessories:	SP65-0001-A2	Pole Mount Bracket Kit 2" St/St A2 (304)
	SP65-0001-A4	Pole Mount Bracket Kit 2" St/St A4 (316)
	SP65-0002-A2	Sunshade - St/St A2 (304)
	SP65-0002-A4	Sunshade - St/St A4 (316)

Versions

Resistors:	Zener Diodes:		Diodes:				
	Max./Nominal Voltage:	Min. Resistor Value:	Zener Current (if resistor is EOL only):	Zener Voltage:	Max. Input Current:	Max. Voltage:	Max. Current:
56V / 48V	1K8	0.75A	3.3V	56V	230mA	<56V dc	0.75A
28V / 24V	470R	1.00A	4.7V	dc	162mA	<50V dc	1.00A
15V / 12V	120R	1.00A	5.1V	56V	149mA		
9V / 6V	47R	1.00A	5.6V	dc	136mA		
			6.2V	56V	122mA		
			6.8V	dc	112mA		
			10V	56V	76mA		
			12V	dc	63mA		
				56V			