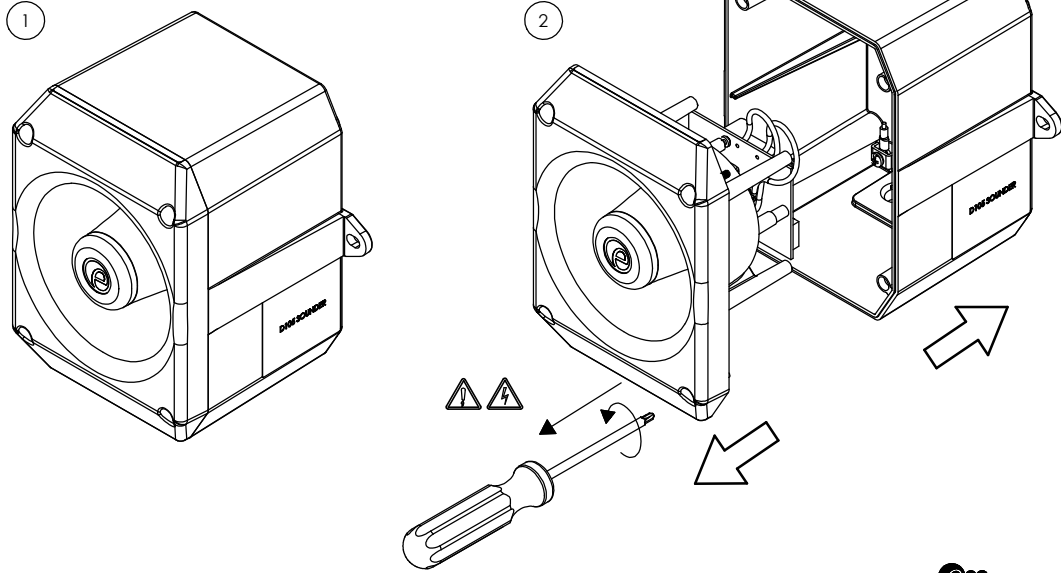


A Alert Alarm
D105



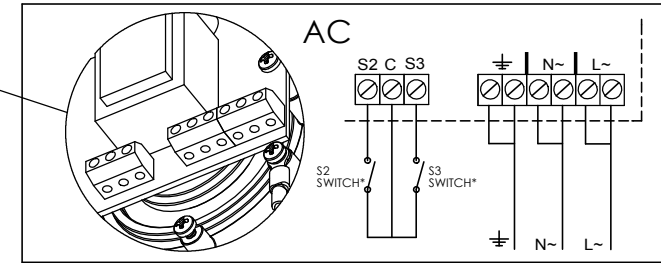
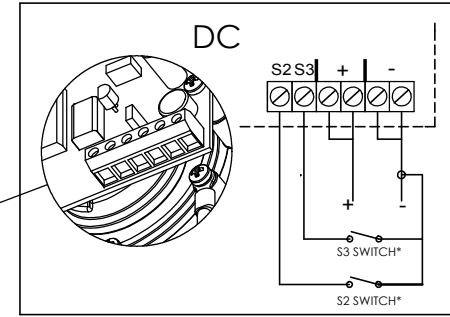
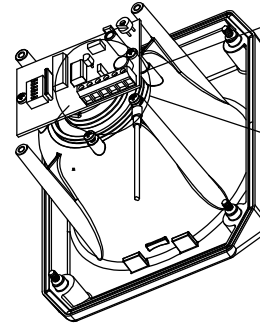
Tel : +44 (0)2 8743 8880 Fax : +44 (0)20 8740 4200
mail : sales@e2s.com web : www.e2s.com



C

TERMINAL BLOCK	A/C INPUT	D/C INPUT
	⊕	
N/-	N~	-
L/+	L~	+
S2	SWITCH TO C	SWITCH TO -
S3	SWITCH TO C	SWITCH TO -

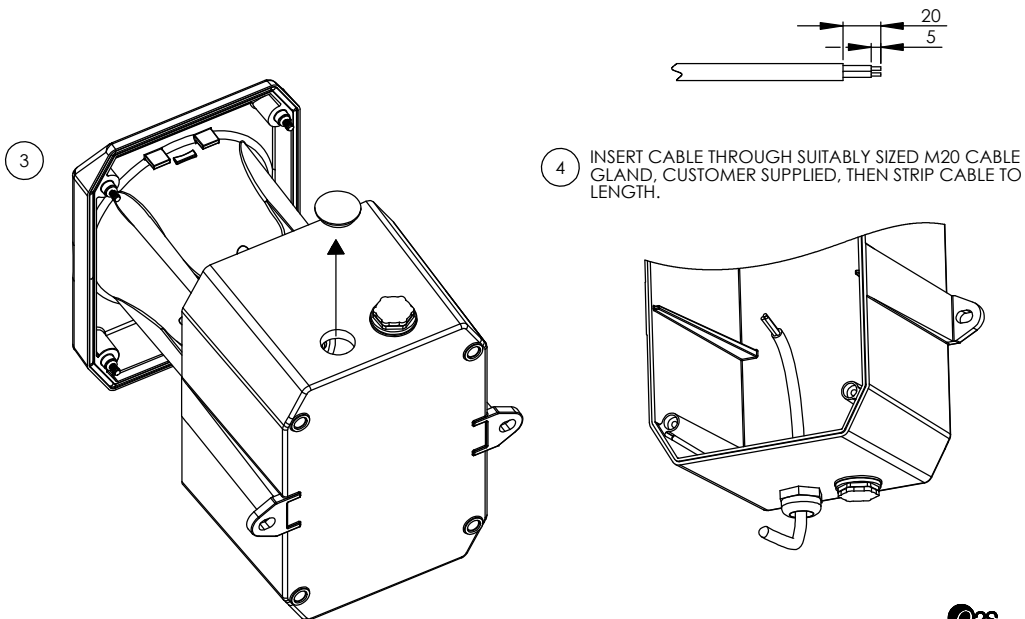
5 CONNECT CABLE AS SHOWN



*S2 & S3 Denote Stage 2 & Stage 3 respectively
Stage switches are customer supplied



B

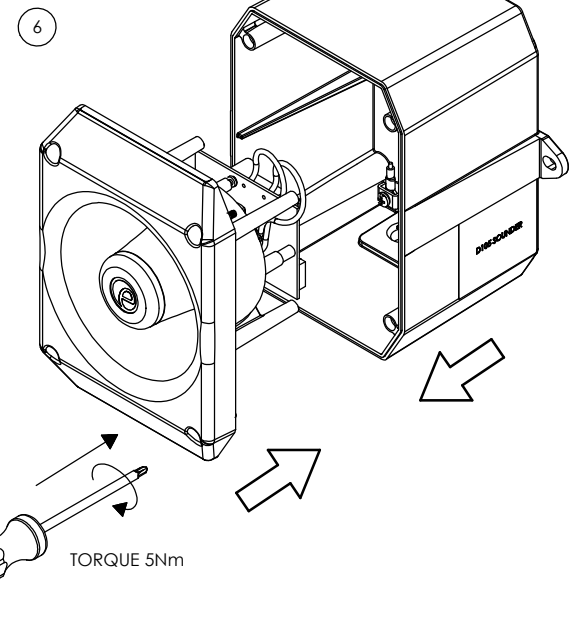


4 INSERT CABLE THROUGH SUITABLY SIZED M20 CABLE GLAND, CUSTOMER SUPPLIED, THEN STRIP CABLE TO LENGTH.

Dimensions in mm



D



RELATED DRAWING

No modification permitted without reference to "The Authorised Person"

D172-00-001-45_SHT2_ISSUE_1



A

Alert Alarm

D105 Metal Sounder
 32 Selectable Tones & 3 Stages
 Temp: -25°C to +55°C
 Unit weight: 1.6Kg

D105

Dimensions : 180 x 130 x 125mm
 1.5mm² terminals
 Cable entry: 2-off M20 x 1.5mm threaded holes.

CE Units
 IP Rating: IP66

Order code	Voltage Range	Nominal Voltage	Nominal Current
D105DC024[X]	10-30 V dc	24 V dc	25mA
D105DC048[X]	35-60 V dc	48 V dc	50mA
D105AC024[X]	24 ±10% V ac	24 V ac	40mA
D105AC115[X]	115 ±10% V ac	115 V ac	20mA
D105AC230[X]	230 ±10% V ac	230 V ac	15mA

UL Approved Units
 IP Rating: Type 4 / 4X / 3R / 13, IP66

Order code	Voltage Range	Nominal Voltage	Nominal Current
D105DC024[X]-UL	10-30 V dc	24 V dc	25mA
D105DC048[X]-UL	35-60 V dc	48 V dc	50mA
D105AC024[X]-UL	24 ±10% V ac	24 V ac	40mA
D105AC115[X]-UL	115 ±10% V ac	115 V ac	20mA
D105AC230[X]-UL	230 ±10% V ac	230 V ac	15mA

[X] Denotes Body Colour: R = Red; G = Grey; D = Dark Grey

Tel : +44 (0)2 8743 8880 Fax : +44 (0)20 8740 4200
 mail : sales@e2s.com web : www.e2s.com



C

STAGE 1	FREQUENCY DESCRIPTION	dB(A)@ 1m	Switch						Stage 2	Stage 3
TONE 1	340 Hz Continuous	102							TONE 2	TONE 5
TONE 2	800/1000Hz @ 0.25 sec Alternating	106							TONE 17	TONE 5
TONE 3	500/1200Hz @ 0.3Hz 0.5 sec Slow Whoop	106							TONE 2	TONE 5
TONE 4	800/1000Hz @ 1Hz Sw eeping	106							TONE 6	TONE 5
TONE 5	2400Hz Continuous	112							TONE 3	TONE 20
TONE 6	2400/2900Hz @ 7Hz Sw eeping	108							TONE 7	TONE 5
TONE 7	2400/2900Hz @ 1Hz Sw eeping	108							TONE 10	TONE 5
TONE 8	500/1200/500Hz @ 0.3Hz Sw eeping	106							TONE 2	TONE 5
TONE 9	1200/500Hz @ 1Hz - DIN - PFEER P.T.A.P.	106							TONE 15	TONE 2
TONE 10	2400/2900Hz @ 2Hz Alternating	110							TONE 7	TONE 5
TONE 11	1000Hz @ 1Hz Intermittent	106							TONE 2	TONE 5
TONE 12	800/1000Hz @ 0.875Hz Alternating	106							TONE 4	TONE 5
TONE 13	2400Hz @ 1Hz Intermittent	112							TONE 15	TONE 5
TONE 14	800Hz 0.25sec on, 1 sec off Intermittent	108							TONE 15	TONE 5
TONE 15	800Hz Continuous	108							TONE 2	TONE 5
TONE 16	660Hz 150mS on, 150mS off Intermittent	104							TONE 18	TONE 5
TONE 17	544Hz (100mS)/440Hz (400mS) - NF S 32-001	104							TONE 2	TONE 27
TONE 18	660Hz 1.8sec on, 1.8sec off Intermittent	104							TONE 2	TONE 5
TONE 19	1.4KHz-1.6KHz 1s, 1.6KHz-1.4KHz 0.5s -NFC48-265	106							TONE 2	TONE 5
TONE 20	660Hz Continuous	104							TONE 2	TONE 5
TONE 21	554Hz/440Hz @ 1Hz Alternating	104							TONE 2	TONE 5
TONE 22	544Hz @ 0.875 sec. Intermittent	104							TONE 2	TONE 5
TONE 23	800Hz @ 2Hz Intermittent	108							TONE 6	TONE 5
TONE 24	800/1000Hz @ 50Hz Sw eeping	108							TONE 29	TONE 5
TONE 25	2400/2900Hz @ 50Hz Sw eeping	108							TONE 29	TONE 5
TONE 26	Bell	100							TONE 2	TONE 15
TONE 27	554Hz Continuous	104							TONE 26	TONE 5
TONE 28	440Hz Continuous	103							TONE 2	TONE 5
TONE 29	800/1000Hz @ 7Hz Sw eeping	105							TONE 7	TONE 5
TONE 30	300Hz Continuous	100							TONE 2	TONE 5
TONE 31	660/1200Hz @ 1Hz Sw eeping	105							TONE 26	TONE 5
TONE 32	Two tone chime.	103							TONE 26	TONE 15

NOTE: Please check factory settings and ensure the correct alarm tone is selected for your country or application

Tone Selection / Switch Setting - Switch settings are shown in the tone selection table. Black squares are the switch levers in the ON positions

Reverse Polarity Switching - On DC versions the second stage alarm tone can be selected by reversing the polarity of the supply voltage if switch 6 is in the ON position and Link L1 is made.

DC Line Monitoring - Remove Link L1 for line monitoring (DC units only).

B

ATTENTION: Installation must be carried out by an electrician in compliance with the latest codes and regulations.

ATTENTION: Disconnect from power source before installation or service to prevent electric shock.

AUTHORIZED DISTRIBUTOR:
 InstrumentsAndControl.com
 Houston, Texas USA
 sales@InstrumentsAndControl.com
 832-615-3588

RELATED DRAWING
 No modification permitted without reference to "The Authorised Person"

