

BExH120-R/BExDH120-R 'Belltronic' Ex Bell

The flameproof BExH120-R 'Belltronic' Signalling Bell is suitable for Zone 1 & 2 applications. The BExH120D authentically reproduces the traditional sound of a electro-mechanical bell whilst providing a significantly higher level of performance and reliability. The BExDH120-R variant is also suitable for Zone 21 & 22.

The digitally stored bell recording is output via a class D amplifier achieving sound levels exceeding the performance of a mechanical bell whilst offering a continuously rated signal. The radial horn design not only physically emulates the traditional bell it also replicates the distribution of the audible signal.

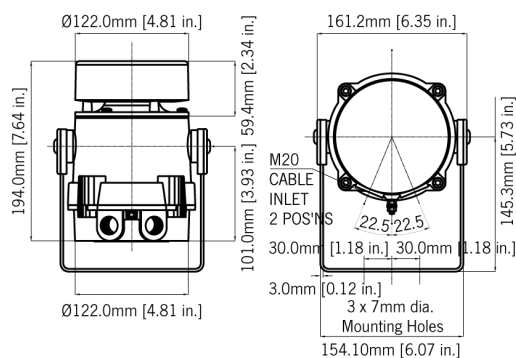
Features

- Digitally stored mechanical bell sound.
- Continuously rated.
- Maintenance free.
- Very large termination area.
- Ratchet adjustable stainless steel 'U' bracket.

Approvals

- ATEX certificate: KEMA 99ATEX6312, EN 60079-0 : 2006, EN 60079-1 : 2007, EN 61241-0 : 2006, EN 61241-1 : 2004
- IECEx certificate: IECEx KEM 10.0003, IEC 60079-0 : 2004 (Ed4), IEC 60079-1 : 2007 (Ed6), IEC 61241-0 : 2004 (Ed1), IEC 61241-1 : 2004 (Ed1)
- Safety-integrity suitability: SIL1
- Inmetro certificate: 10HEx-0009
- GOST-R certificate: POCC GB.JB05.B03365





Specification

Nominal output: 106dB(A) @ 1m +/- 3dB [97dB(A) @ 10ft/3m]

Volume control: Yes

Voltages DC: 2.4vdc

Voltages AC: 115vac; 230vac

Ingress protection: IP66/67

Housing material: Marine grade copper free
LM6 Aluminium

Housing finish: Phosphated & powder coated finish - anti-corrosion

Colour: RAL3000 Red or RAL7038 Grey (others available on request)

BExH120R flare: High impact UL94 V0 & 5VA FR ABS

BExDH120R flare: Anti-Static High impact ABS (Black)

Cable entries: Dual M20 ISO (one stopping plug inc)

Terminals: 0.5 to 2.5mm² cables.

Weight : DC: 3.20kg/7.04lbs AC: 3.40kg/7.48lbs

Part Codes

Part Code: **Classification:**

BExH120DR**G ATEX / IECEx:
Grey Housing & II 2G Ex d IIB T4 Ta. -50 to +70°C
Red Gong II 2G Ex d IIC T4 Ta. -50 to +55°C

BExH120DR**R ATEX / IECEx:
Red Housing & Red II 2G Ex d IIB T4 Ta. -50 to +70°C
Gong II 2G Ex d IIC T4 Ta. -50 to +55°C

BExDH120DR**G ATEX / IECEx:
Grey Housing & II 2G Ex d IIB T4 Ta. -50° to +70°C
Black Gong II 2G Ex d IIC T4 Ta. -50° to +55°C
 II 2D Ex tD A21 IP67 T115
 based on a max. Ta. of 70°C

BExDH120DR**R ATEX / IECEx:
Red Housing & II 2G Ex d IIB T4 Ta. -50° to +70°C
Black Gong II 2G Ex d IIC T4 Ta. -50° to +55°C
 II 2D Ex tD A21 IP67 T115
 based on a max. Ta. of 70°C

** = Voltage reference:

Options: 24DC, 115AC, 230AC

Current Consumption

Voltage:		Current:
24V dc		400mA
115V ac	50/60Hz	130mA
230V ac	50/60Hz	65mA

Tonetable

S 1	Description	S 2	S 3
T 1	Industrial Hooter	T 3	T 5
T 2	High Frequency Mechanical Siren	T 1	T 5
T 3	Medium Frequency Mechanical Siren	T 1	T 5
T 4	Electro Mechanical Buzzer	T 2	T 5
T 5	Mechanical Bell	T 1	T 2

Authorized Distributor:
GasDetectorsUSA.com
Houston, TX USA
832-615-3588
sales@GasDetectorsUSA.com