

HORN / STROBE

SHA-120



Key Features

- 120 VAC, two-wire connection
- Horn and strobe activate together
- Blue strobe lens cover
- Field selectable horn tone – continuous or temporal pattern
- Field selectable candela settings – low to high intensity flash
- Corrosion, weather and chemical resistant enclosure for washdown areas
- Weatherproof backbox included for outdoor installation
- -40°F to 150°F, NEMA 4X
- Labeled for ammonia, but sticker can be removed to utilize for other gases

High visibility in a weather-proof package.
The perfect addition to your toxic gas alert system.

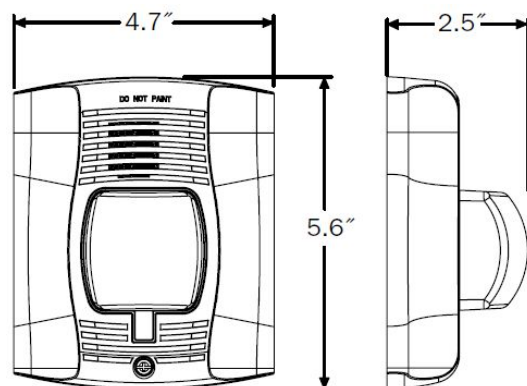
The SHA-120 series horn/strobe is designed to provide audible/visual signal for life safety and property protection. They meet or exceed NFPA/ANSI standards and UL464/UL1638.

The horn provides either a continuous tone or a temporal pattern tone, with a 3-position volume switch. A slide switch allows for several candela settings from low to high intensity.

The SHA-120 series horn/strobe is housed in a durable poly enclosure, able to withstand weather and washdown environments. A 120 VAC adaptor plate and weather-proof mounting backbox is included.

SPECIFICATIONS

- STROBE INTENSITY:** 15 to 185 Candela
- SOUND OUTPUT:** 99 dB @ 10 ft
- FLASH RATE:** 1 flash per second
- SUPPLY VOLTAGE:** 120 VAC, 150 mA max
- OPERATING TEMPERATURE:** -40°F - +150°F
- DIMENSIONS:** 6" X 7" X 5" (H x W x D)
- APPROVALS:** UL listed
Designed to meet or exceed ANSI/NFPA standards and ADA accessibility guideline



HORN / STROBE SHA-120

Horn Tones

Switch Position	Sound Pattern	dB Level
*1	Temporal	High
2	Temporal	Medium
3	Temporal	Low
4	Non-Temporal	High
5	Non-Temporal	Medium
6	Non-Temporal	Low
7	N/A	
8	N/A	
9	N/A	

Candela Rating

Strobe Output (cd)
*15
15/75
30
75
95
110
115
135
150
177
185

**default settings*

Components / Assembly

