

Quickstart Guide

GDS-48 Wiring for Catalytic Bead LEL Sensor



Wiring & Installation Instructions for GASMAX II

- 1) Install the GASMAX II gas monitor and GDS-48 as recommended (see GASMAX Manual, Sections 2.3 and 2.4).
- 2) To avoid excessive voltage at the sensor, prior to connecting the GDS-48 make sure the sensor voltage is set to 2.0VDC (see GASMAX Manual, Section 6.2).
- 3) Connect the GASMAX to the GDS-48 as shown in Fig. 2 (see back). (R = Reference Bead, C = Common, A = Active Bead)
- 4) Re-adjust the sensor voltage at the GASMAX until the remote sensor voltage reads 2.0VDC AS MEASURED AT THE SENSOR.
- 5) Calibrate the unit using a 50% LEL mixture to verify proper operation.

Wiring & Installation Instructions for C1 Controller

- 1) Install the C1 *Protector* controller and GDS-48 as recommended (see C1 Manual Section 3.1.3).
- 2) To avoid excessive voltage at the sensor, prior to connecting the GDS-48 make sure the sensor voltage is set to 2.0VDC (see C1 Manual, Section 3.1.4).
- 3) Connect the C1 to the GDS-48 as shown in Fig. 3. (R = Reference Bead, C = Common, A = Active Bead)
- 4) Re-adjust the sensor voltage at the C1 until the remote sensor voltage reads 2.0VDC AS MEASURED AT THE SENSOR.
- 5) Calibrate the unit using a 50% LEL mixture to verify proper operation.

Wiring & Installation Instructions for C2 Controller

- 1) Install the C2 *Protector* controller and GDS-48 as recommended (see C2 Manual Section 3.1.3).
- 2) To avoid excessive voltage at the sensor, prior to connecting the GDS-48 make sure the sensor voltage is set to 2.0VDC (see C2 Manual, Section 3.1.4).
- 3) Connect the C2 to the remote sensor housing as shown in Fig. 4. (R = Reference Bead, C = Common, A = Active Bead)
- 4) Re-adjust the sensor voltage at the C2 until the remote sensor voltage reads 2.0VDC AS MEASURED AT THE SENSOR.
- 5) Calibrate the unit using a 50% LEL mixture to verify proper operation.

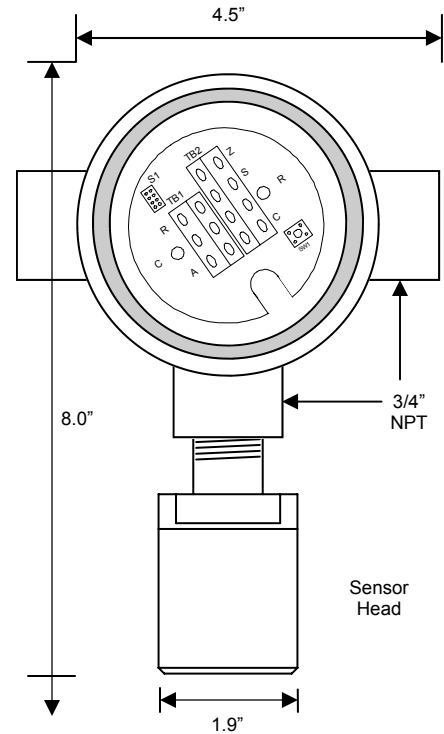


Fig 1.
GDS-48 Remote Sensor Assembly

Important:

Do NOT exceed 2.2V across TB1 terminals A & R with the catalytic bead sensor in place.

Voltage in excess of 2.2V may destroy the sensor.

**Do NOT install with unused junction box inlet facing UP!
Water WILL leak into the junction box!**

GASMAX II Power Supply Board

GDS-48 Sensor Assembly PCB

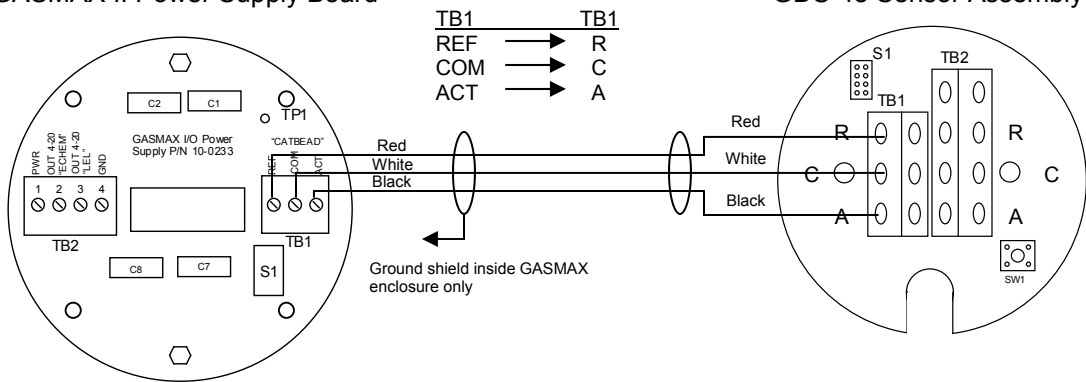


Fig 2. GASMAX II to GDS-48 Wiring Diagram for Catalytic Bead

SW1, TB2 not used in this configuration

C1 8 Channel "CATBEAD" Sensor Option #10-0191 / 10-0192

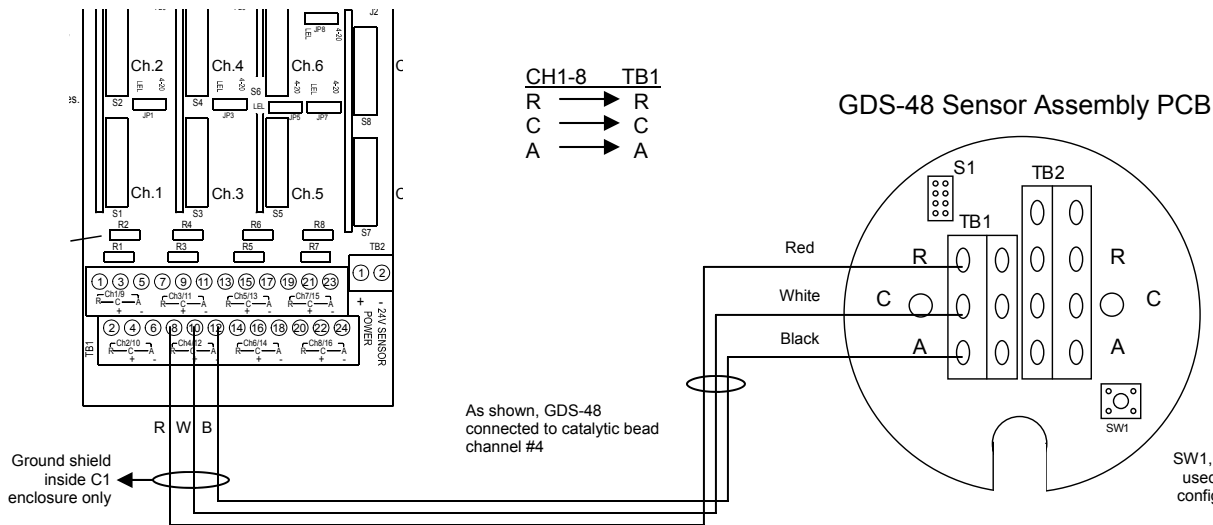


Fig 3. C1 Controller to GDS-48 Wiring Diagram for Catalytic Bead

SW1, TB2 not used in this configuration

C2 Catalytic Bead Sensor Input Board #10-0219*

GDS-48 Sensor Assembly PCB

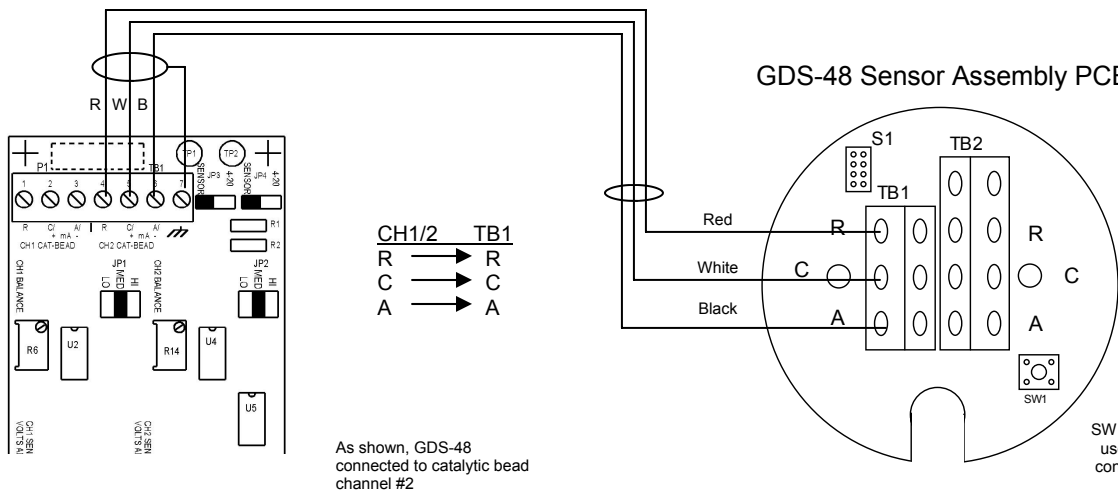


Fig 4. C2 Controller to GDS-48 Wiring Diagram for Catalytic Bead

SW1, TB2 not used in this configuration

*Note: Use same named terminals when wiring to C2 #10-0216 EC / Cat Bead board.