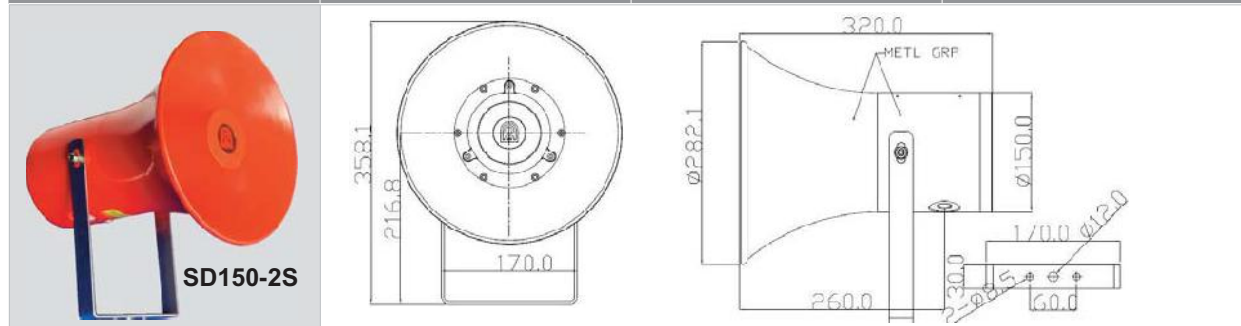




SD150-2 Explosion Proof Loudspeaker
SD150-2 Series



ATEX: II2G Exd IIC T4~T6	Zone 1 & Zone 2	IP66/67	Stainless Steel
---------------------------------	----------------------------	----------------	------------------------



Specification

Certification:	ATEX: II 2G Exd IIC T4~T6
Ambient Temperature:	-40 to +70 C
Humidity:	Up to 95% RH
Ingress Protection:	IP66/67
Enclosure Material:	UV and Corrosion Resistance GRP (Anti Static GRP Optional)
Bracket Material:	Stainless Steel
Enclosure Colour:	Black, Blue, Yellow, Red or Others (Selectable)
Weight:	5.4 Kg
Dimension:	SD150-2S: L320 x dia.281(mm); SD150-2E: L307 x dia.276(mm); SD150-2R: L304.6 x W 289.3 x H194.4(mm) (W&H for Horn)
Max Power:	15W, 25W, 50W
Max/Rated Power:	15W/ 15 -7.5 -4 -2 -1 -0.5W; 25W/ 25 -12.5 -6 -4 -2 -1W 30W/30- 20- 15- 10- 5- 2.5W; 50W/ 50- 40- 30- 20- 15- 7.5W
Sound Output:	Up to 115dB
Effective Frequency Range:	300Hz to 8kHz
Opening Angle 1kHz /4kHz (-6 dB):	SD150-2S: 160° / 50°;SD150-2R: 90° /40° (Horizontal); 130° / 45° (Vertical);SD150-2E: 160° / 50°
Rated Voltage:	100 V
Rated Impedance:	960ohm(15W); 576ohm(25W); 480ohm (30W); 288ohm 950W)
Terminals:	Accept up to 2.5mm ² Cable
Cable Entry:	2* M20, M25, 1/2" NPT, 3/4"NPT or Others
Electromagnetic:	CE ₀₄₇₀ Marked

Ordering Code

Products	Horn Type	Max Power	Duty Label*	Tag Label*	Entry Size	Cable Entry Position	Finish Color
SD150-2	S-Standard (Circular)	15- 15W	N-No	N-No	A- M20	L-Left Side	R-Red
		25- 25W	Y-Yes (Specify Wording)	Y-Yes (Specify Wording)	B- M25	R-Right Side	B-Blue
	E-Reentrant	30- 30W			C-1/2" NPT		BL-Black
	R-Rectangular	50- 50W			D-3/4" NPT		O-Others (Specify)
				O-Other			

i.e. **SD1502S25NNALR**

SD150-2	S	25	N	N	A	L	R
Product	Standard	25W	No Duty Label	No Tag Label	M20	Left Side	Red Finish

*These " " accessories need to be ordered seperately. Please refer to product datasheet for your information.