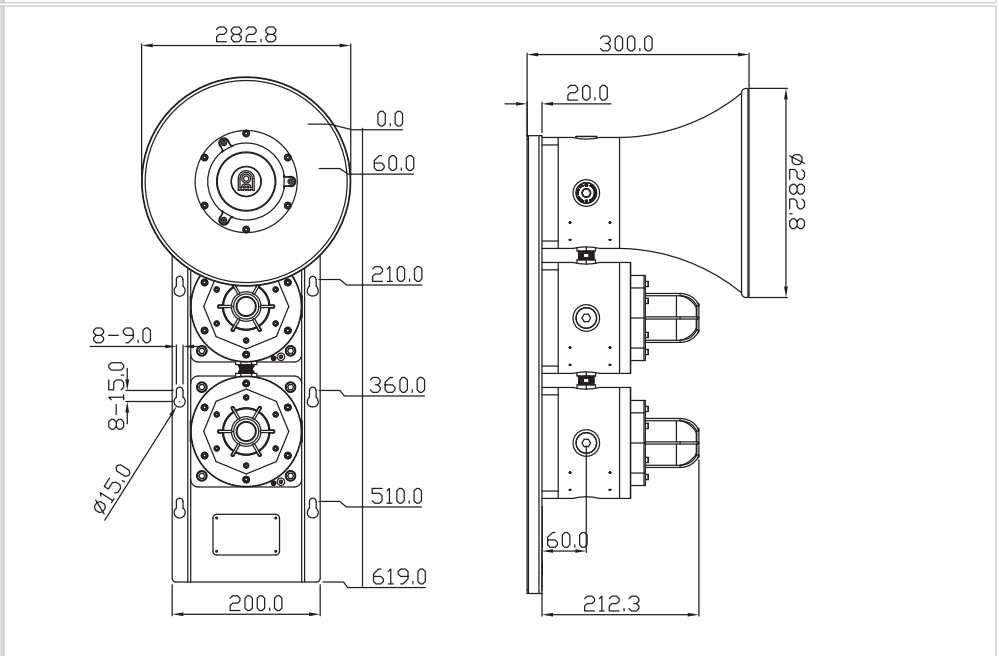
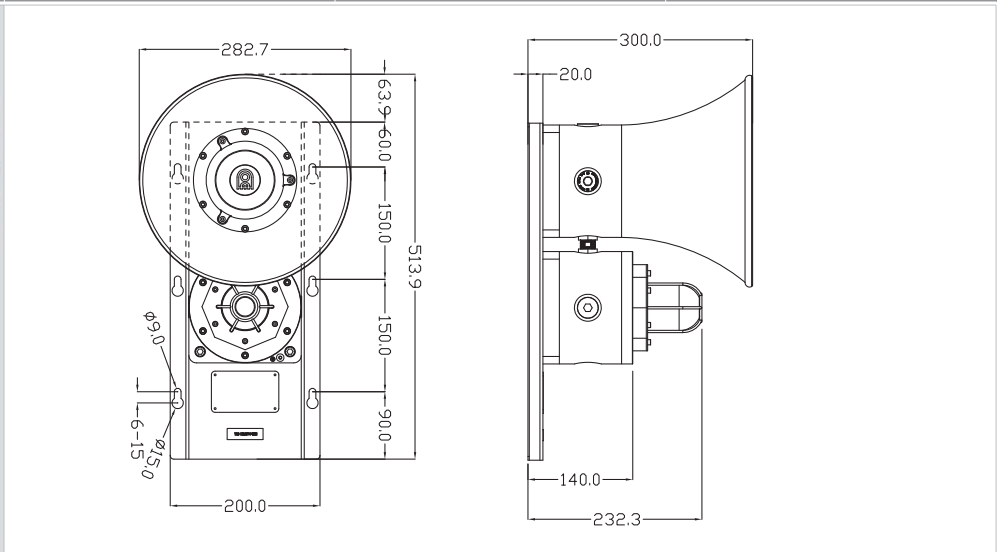




SB150-2/3/4 Explosion Proof Sounder & Beacon (Combination Unit)
SB150 Series



ATEX: II2G Exd IIC T4~T6	Zone 1 & Zone 2	IP66/67	GRP
--------------------------	-----------------	---------	-----



Combination Type:

- SB150-2:** 1 Sounder & 1 Beacon;
- SB150-2P:** 1 Sounder, 1 Beacons & 1 Push Button;
- SB150-3J:** 1 Sounder, 2 Beacons & 1 Junction box;
- SB150-3P:** 1 Sounder, 2 Beacons & 1 Push Button;
- SB150-4:** 1 Sounder & 3 Beacons;
- SB150-4J:** 1 Sounder, 3 Beacons & 1 Junction box;
- PB150-4P:** 1 Sounder, 3 Beacons & 1 Push Button;
- SB150-2J:** 1 Sounder, 1 Beacons & 1 Junction box;
- SB150-3:** 1 Sounder & 2 Beacons;

More Information about different type, please contact AMO sales. t type, please contact AMO sales.

Specification:

Certification:	ATEX: II 2G Exd IIC T4~T6
Ambient Temperature:	-40 to +70 C
Humidity:	Up to 95% RH
Ingress Protection:	IP66/67
Enclosure Material:	Stainless Steel
Plate& Lens Guard Material:	Stainless Steel (Lens Guard for Option)
Lens Cover Material:	Tampered Glass
Lens Colour:	Red, Yellow (Amber), Blue, Green, Clear
Enclosure Colour:	Red ,Blue, Black or Others (Selectable)

To be Continued.....

Specification:

Weight:	SB150-2: 10.4 Kg; SB150-3: 14.5 KG
Dimension:	SB150-2: L450*W200*H300 (mm); SB150-3: L619*W200*H300 (mm)
Beacon Type Selection:	LED or Xenon
Tube Energy for Xenon:	2,5,10,15,21 Joule for Selection
LED Output:	Yellow Lens Cover-112 Candela; Red-94 Candela; Green-78 Candela; Blue -60 Candela
Status Type:	Flash; Rotary (LED only); Steady (LED only)
Flash Rate:	60/75/120 times/min (Flash once a time);100/120/150 times/min (Flash twice a time) 120/150/180 times/min (Flash three times a time)
Rotary Rate:	Rotary Rate is the same as Flash Rate. Rotary Type can be specially designed to provide LED in four different colors flashing in sequence.
Tone Selection:	63 tones selection incl. 4 free tones for customized or recorded
Sound Output:	Up to 115dB
Power Supply:	12-48V DC/AC or 100-480V AC
Power Consumption:	Sounder: 5-20W (Adjustable); LED Beacon:5W Xenon Beacon:2 Joule-4W (Max); 5J-10W (Max);10J-15W (Max);15J-20W(Max); 21J: 25W(Max)
Working Currenty:	Sounder: 250mA-1500mA; LED Beacon:220mA (Max) Xenon :2 Joule-160mA(Max); 5J-320mA(Max); 10J-650mA(Max); 15 J-1A(Max); 21J-1.4A (Max)
Terminals:	Accept up to 2.5mm ² Cable
Cable Entry:	2* M20, M25, 1/2" NPT, 3/4"NPT or Others
Electromagnetic:	CE ₀₄₇₀ Marked

Ordering Code

Prod-ucts	Combination Type	Combined with	Lens Color	Type	Tube Energy (Xenon Only)	Voltage	Duty Label*	Tag Label*	Lens Guard*	Entry Size	Finish Color	
SB150	2- 1Sounder& 1 Beacon	J- Junction Box	R-Red	L- LED	02-2 Joule	DC- 12-48V DC	N-No	N-No	N-No	A- M20	R-Red	
			Y- Yellow		05-5 Joule					Y-Yes (Specify Wording)	Y-Yes (Specify Wording)	Y-Yes
	3- 1 Sounder & 2 Beacons	P- Push Button	B-Blue	X- Xenon	10-10 Joule	AC1- 12-48V AC					C-1/2" NPT	BL-Black
			G-Green		15- 15 Joule							
4- 1 Sounder & 3 Beacons		C-Clear		20-20 Joule	AC- 100-240V AC					D-3/4" NPT	O-Others (Specify)	

i.e. SB1503JRXBX05DCNNAR

SB150	3	J	RX	BX	05	DC	N	N	N	A	R
Product	1Sounder, 2Beacons	Junction Box	Red Xenon Beacon	Blue Xenon	5 Joule	12-48V DC	No Duty Lable	No Tag Label	No Lens Guard	M20 Cable Entry	Red Finish

***These* * accessories need to be ordered seperately. Please refer to product datasheet for your information.**

For more convenient and easier installation and wiring operation, AMO recommends Junction Box type for your **AC-version SB150.**

eg. (Only for AC Version)

- SB150-3J for SB150-2
- SB150-4J for SB150-3
- SB150-5J for SB150-4