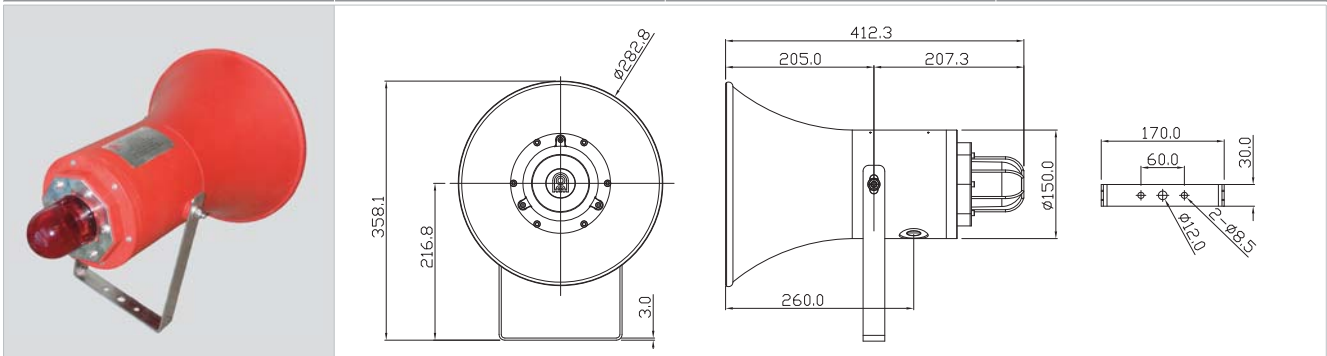




SB150-1 Explosion Proof Sounder & Beacon (Single Unit)
SB150 Series



ATEX: II2G Exd IIC T4~T6	Zone 1& Zone 2	IP66/67	GRP
---------------------------------	---------------------------	----------------	------------



Specification:

Certification:	ATEX: II 2G Exd IIC T4~T6
Ambient Temperature:	-40 to +70· C
Humidity:	Up to 95% RH
Ingress Protection:	IP66/67
Enclosure Material:	UV and Corrosion Resistance GRP (Anti Static GRP Optional)
Bracket & Lens Guard Material:	Stainless Steel (Lens Guard for Option)
Lens Cover Material:	Tampered Glass
Enclosure Colour:	Red ,Blue, Black or Others (Selectable)
Weight:	6.5 Kg
Dimension:	L412*dia.281 (mm)
Beacon Type Selection:	LED or Xenon
Tube Energy for Xenon:	2,5,10,15,21 Joule for Selection
LED Output:	Yellow Lens Cover-112 Candela; Red-94 Candela; Green-78 Candela; Blue -60 Candela
Status Type:	Flash; Rotary (LED only); Steady (LED only)
Flash Rate:	60/75/120 times/min (Flash once a time);100/120/150 times/min (Flash twice a time) 120/150/180 times/min (Flash three times a time)
Rotary Rate :	Rotary Rate is the same as Flash Rate. Rotary Type can be specially designed to provide LED in four different colors flashing in sequence.
Tone Selection:	63 tones selection incl. 4 free tones for customized or recorded
Sound Output:	Up to 115dB
Power Supply:	12-48V DC/AC or 100-240V AC
Power Consumption:	Sounder: 5-20W (Adjustable); LED Beacon:5W Xenon Beacon:2 Joule-4W (Max); 5J-10W (Max);10J-15W (Max);15J-20W(Max); 21J: 25W(Max)
Working Currenty:	Sounder: 250mA-1500mA; LED Beacon:220mA (Max) Xenon :2 Joule-160mA(Max); 5J-320mA(Max); 10J-650mA(Max); 15 J-1A(Max); 21J-1.4A (Max)
Terminals:	Accept up to 2.5mm2 Cable
Cable Entry:	2* M20, M25, 1/2" NPT, 3/4"NPT or Others
Electromagnetic:	CE ₀₄₇₀ Marked

Ordering Code

Products	Lens Color	Type	Tube Energy (Xenon Only)	Voltage	Duty Label*	Tag Label*	Lens Guard*	Entry Size	Finish Color
SB150-1	R- Red	L- LED	02-2 Joule	DC- 12-48V DC	N-NO	N-NO	N-NO	A- M20	R-Red
	Y- Yellow		05-5 Joule	AC1- 12-48V AC	Y-Yes (Specify Wording)	Y-Yes (Specify Wording)	Y-Yes	B- M25	B-Blue
	B-Blue	X- Xenon	10-10 Joule	AC2- 100-240V AC				C-1/2" NPT	BL-Black
	G-Green		15- 15 Joule					D-3/4" NPT	O-Others (Specify)
	C-Clear		20-20 Joule					O-Other	

i.e. SB1501RX05DCNNAR

SB1501	R	X	05	DC	N	N	N	A	R
Product SB150-1	Red	Xenon	5 Joule	12-48V DC	No Duty Lable	No Tag Label	No Lens Guard	M20 Cable Entry	Red Finish

These * accessories need to be ordered seperately. Please refer to product datasheet for your information.