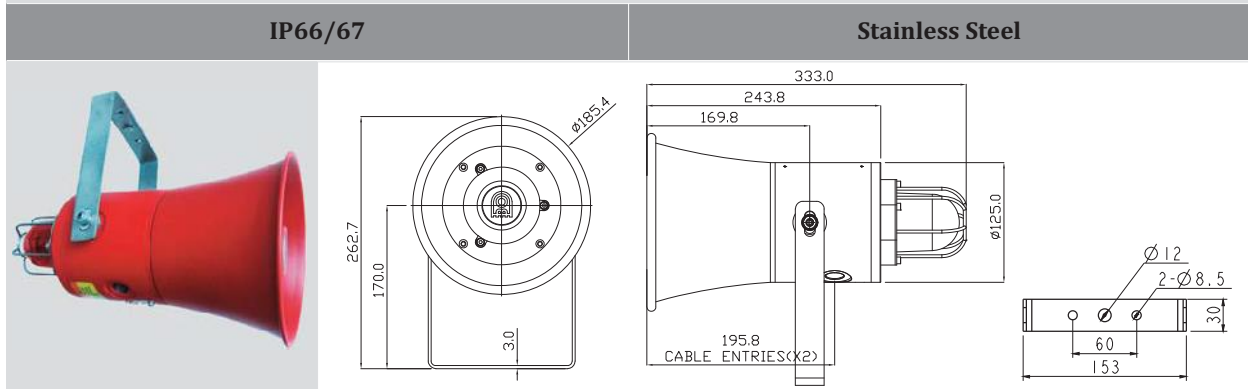


SB125N Weather-proof & Heavy Duty Sounder & Beacon (Single Unit)

SB125N Series



Specification:

Ambient Temperature:	-40 to +70 C
Humidity:	Up to 95% RH
Ingress Protection:	IP66/67
Enclosure Material:	Stainless Steel
Bracket & Mounting Plate:	Stainless Steel
Lens Cover Material:	Tampered Glass
Enclosure Colour:	Red ,Blue, Black or Others (Selectable)
Weight:	8.0 Kg
Dimension:	L335*dia.187.54 (mm)
Beacon Type Selection:	LED or Xenon
Tube Energy for Xenon:	2,5,10,15,21 Joule for Selection
LED Output:	Yellow Lens Cover-112 Candela; Red-94 Candela; Green-78 Candela; Blue -60 Candela
Status Type:	Flash; Rotary (LED only); Steady (LED only)
Flash Rate:	60/75/120 times/min (Flash once a time);100/120/150 times/min (Flash twice a time) 120/150/180 times/min (Flash three times a time)
Rotary Rate (LED Only):	Rotary Rate is the same as Flash Rate. Rotary Type can be specially designed to provide LED in four different colors flashing in sequence.
Tone Selection:	63 tones selection incl. 4 free tones for customized or recorded
Sound Output:	Up to 123dB
Power Supply:	12-48V DC/ AC or 100-240V DC
Power Consumption:	Sounder: 5-20W (Adjustable); LED Beacon:5W Xenon Beacon:2 Joule-4W (Max); 5J-10W (Max);10J-15W (Max);15J-20W(Max); 21J: 25W(Max)
Working Currenty:	Sounder: 250mA-1500mA; LED Beacon:220mA (Max) Xenon :2 Joule-160mA(Max); 5J-320mA(Max); 10J-650mA(Max); 15 J-1A(Max); 21J-1.4A (Max)
Terminals:	Accept up to 2.5mm ² Cable
Cable Entry:	2* M20, M25, 1/2" NPT, 3/4"NPT or Others
Electromagnetic:	CE ₀₄₇₀ Marked

Ordering Code

Products	Lens Color	Type	Tube Energy (Xenon Only)	Voltage	Duty Label*	Tag Label*	Lens Guard*	Entry Size	Finish Color
SB125N-1	R- Red	L- LED	02-2 Joule	DC- 12-48V DC	N-No	N-No	N-No	A- M20	R-Red
	Y- Yellow		05-5 Joule	AC1- 12-48V AC	Y-Yes (Specify Wording)	Y-Yes (Specify Wording)	Y-Yes	B- M25	B-Blue
	B-Blue	X- Xenon	10-10 Joule	AC2- 100-240V AC				C-1/2" NPT	BL-Black
	G-Green		15- 15 Joule					D-3/4" NPT	O-Others (Specify)
	C-Clear		20-20 Joule					O-Other	

i.e. SB125N1RX05DCNNAR

SB125N1	R	X	05	DC	N	N	N	A	R
Product SB125N-1	Red	Xenon	5 Joule	12-48V DC	No Duty Lable	No Tag Label	No Len Guard		

*These" * "accessories need to be ordered seperately. Please refer to product datasheet for your info

AMO reserves the right to improve specifications without prior notice, please refer to our website for update

Created with