



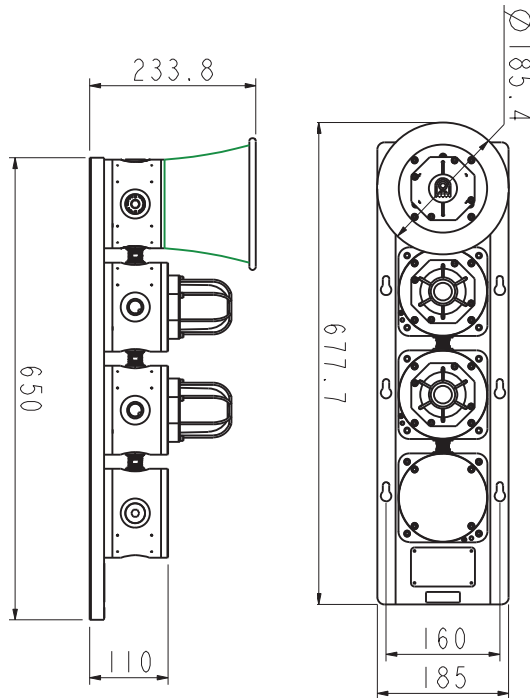
SB125-2/3/4J Explosion Proof Sounder & Beacon (Combination Unit)
SB125 Series



ATEX: II2G Exd IIC T4~T6	Zone 1 & Zone 2	IP66/67	Stainless Steel
--------------------------	-----------------	---------	-----------------



SB125-2J



Combination Type:

- SB125-2J:** 1 Sounder, 1 Beacons & 1 Junction box;
- SB125-2P:** 1 Sounder, 1 Beacons & 1 Push Button;
- SB125-3J:** 1 Sounder, 2 Beacons & 1 Junction box;
- SB125-3P:** 1 Sounder, 2 Beacons & 1 Push Button;
- SB125-4J:** 1 Sounder, 3 Beacons & 1 Junction box;
- SB125-4P:** 1 Sounder, 3 Beacons & 1 Push Button;

Junction box or Push Button has to be fixed with the equipment.

More Information about different type, please contact AMO sales.

Specification:

Certification:	ATEX: II 2G Exd IIC T4~T6
Ambient Temperature:	-40 to +70 C
Humidity:	Up to 95% RH
Ingress Protection:	IP66/67
Enclosure Material:	Stainless Steel
Plate& Lens Guard Material:	Stainless Steel (Lens Guard for Option)
Lens Cover Material:	Tampered Glass
Lens Colour:	Red, Yellow (Amber), Blue, Green, Clear
Enclosure Colour:	Red ,Blue, Black or Others (Selectable)
Mounting Plate Colour:	Red or Natural Metallic Color
Weight:	SB125-2: 11.9 Kg; SB125-3: 16.7 KG
Dimension:	SB125-2: L400*W185*H234 (mm); SB125-3: L500*W185*H234 (mm)
Beacon Type Selection:	LED or Xenon
Tube Energy for Xenon:	2,5,10,15,21 Joule for Selection
LED Output:	Yellow Lens Cover-112 Candela; Red-94 Candela; Green-78 Candela; Blue -60 Candela
Status Type:	Flash; Rotary (LED only); Steady (LED only)
Flash Rate:	60/75/120 times/min (Flash once a time);100/120/150 times/min (Flash twice a time) 120/150/180 times/min (Flash three times a time)
Rotary Rate:	Rotary Rate is the same as Flash Rate. Rotary Type can be specially designed to provide LED in four different colors flashing in sequence.
Tone Selection:	63 tones selection incl. 4 free tones for customized or recorded
Sound Output:	Up to 115dB
Power Supply:	12-48V DC/AC or 100-240V AC
Power Consumption:	Sounder: 5-20W (Adjustable); LED Beacon:5W Xenon Beacon:2 Joule-4W (Max); 5J-10W (Max);10J-15W (Max);15J-20W(Max); 21J: 25W(Max)
Working Currenty:	Sounder: 250mA-1500mA; LED Beacon:220mA (Max) Xenon :2 Joule-160mA(Max); 5J-320mA(Max); 10J-650mA(Max); 15 J-1A(Max); 21J-1.4A (Max)

Specification:

Terminals:	Accept up to 2.5mm ² Cable
Cable Entry:	3* M20, M25, 1/2" NPT, 3/4"NPT or Others
Electromagnetic:	CE ₀₄₇₀ Marked

Ordering Code

Prod-ucts	Combination Type	Lens Color	Type	Tube Energy (Xenon Only)	Voltage	Duty Label*	Tag Label*	Lens Guard*	Entry Size	Finish Color
SB125	2J- 1Sounder, 1 Beacon & 1 Junction Box	R-Red Y- Yellow	L- LED	02-2 Joule 05-5 Joule	DC- 12-48V DC	N-No Y-Yes (Specify Wording)	N-No Y-Yes (Specify Wording)	N-No Y-Yes	A- M20 B- M25	R-Red B-Blue
	2P- 1Sounder, 1 Beacon & 1 Push Button	B-Blue G-Green	X- Xenon	10-10 Joule 15- 15 Joule	AC1- 12-48V AC				C-1/2" NPT	BL-Black O-Others (Specify)
	3J- 1 Sounder, 2 Beacons & 1 Junction Box	C-Clear		20-20 Joule	AC2- 100-240V AC				D-3/4" NPT	
	3P- 1Sounder, 2 Beacon & 1 Push Button								O-Others (Specify)	
	4J- 1Sounder, 3 Beacons & 1 Junction Box									
	4P- 1Sounder, 3 Beacon & 1 Push Button									
i.e. SB1253JRXB05DCNNAR										
SB125	3J	RX	BX	05	DC	N	N	N	A	R
Product	1Sounder, 2 Beacons & 1 Junction Box	Red Xenon Beacon	Blue Xenon	5 Joule	12-48V DC	No Duty Lable	No Tag Label	No Lens Guard	M20 Cable Entry	Red Finish

*These" * " accessories need to be ordered seperately. Please refer to product datasheet for your information.