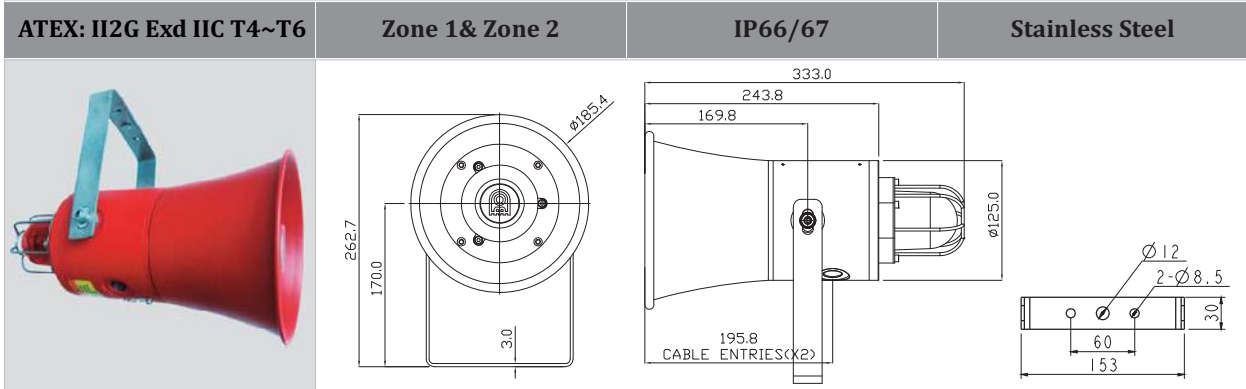




**SB125-1 Explosion Proof Sounder & Beacon (Single Unit)**  
**SB125 Series**



**Specification:**

Certification:	ATEX: II 2G Exd IIC T4~T6
Ambient Temperature:	-40 to +70 C
Humidity:	Up to 95% RH
Ingress Protection:	IP66/67
Enclosure Material:	Stainless Steel
Bracket & Lens Guard Material:	Stainless Steel (Lens Guard for Option)
Lens Cover Material:	Tampered Glass
Enclosure Colour:	Red ,Blue, Black or Others (Selectable)
Weight:	8.0 Kg
Dimension:	L335*dia.187.54 (mm)
Beacon Type Selection:	LED or Xenon
Tube Energy for Xenon:	2,5,10,15,21 Joule for Selection
LED Output:	Yellow Lens Cover-112 Candela; Red-94 Candela; Green-78 Candela; Blue -60 Candela
Status Type:	Flash; Rotary (LED only); Steady (LED only)
Flash Rate:	60/75/120 times/min (Flash once a time);100/120/150 times/min (Flash twice a time) 120/150/180 times/min (Flash three times a time)
Rotary Rate:	Rotary Rate is the same as Flash Rate. Rotary Type can be specially designed to provide LED in four different colors flashing in sequence.
Tone Selection:	63 tones selection incl. 4 free tones for customized or recorded
Sound Output:	Up to 115dB
Power Supply:	12-48V DC/ AC or 100-240 V AC
Power Consumption:	Sounder: 5-20W (Adjustable); LED Beacon:5W Xenon Beacon:2 Joule-4W (Max); 5J-10W (Max);10J-15W (Max);15J-20W(Max); 21J: 25W(Max)
Working Currenty:	Sounder: 250mA-1500mA; LED Beacon:220mA (Max) Xenon :2 Joule-160mA(Max); 5J-320mA(Max); 10J-650mA(Max); 15 J-1A(Max); 21J-1.4A (Max)
Terminals:	Accept up to 2.5mm <sup>2</sup> Cable
Cable Entry:	2* M20, M25, 1/2" NPT, 3/4"NPT or Others
Electromagnetic:	CE <sub>0470</sub> Marked

**Ordering Code**

Products	Lens Color	Type	Tube Energy (Xenon Only)	Voltage	Duty Label*	Tag Label*	Lens Guard*	Entry Size	Finish Color
SB125-1	R- Red	L- LED	02-2 Joule	DC- 12-48V DC	N-No	N-No	N-No	A- M20	R-Red
	Y- Yellow		05-5 Joule	AC1- 12-48V AC	Y-Yes (Specify Wording)	Y-Yes (Specify Wording)	Y-Yes	B- M25	B-Blue
	B-Blue	X- Xenon	10-10 Joule	AC2- 100-240 V AC				C-1/2" NPT	BL-Black
	G-Green		15- 15 Joule					D-3/4" NPT	O-Others (Specify)
	C-Clear		20-20 Joule					O-Other	

i.e. SB1251RX05DCNNAR

<b>SB1251</b>	<b>R</b>	<b>X</b>	<b>05</b>	<b>DC</b>	<b>N</b>	<b>N</b>	<b>N</b>	<b>A</b>	<b>R</b>
Product SB125-1	Red	Xenon	5 Joule	12-48V DC	No Duty Lable	No Tag Label	No Lens Guard	M20 Cable Entry	Red Finish

\*These" \* " accessories need to be ordered seperatedly. Please refer to product datasheet for your information.

AMO reserves the right to improve specifications without prior notice, please refer to our website for updated information.