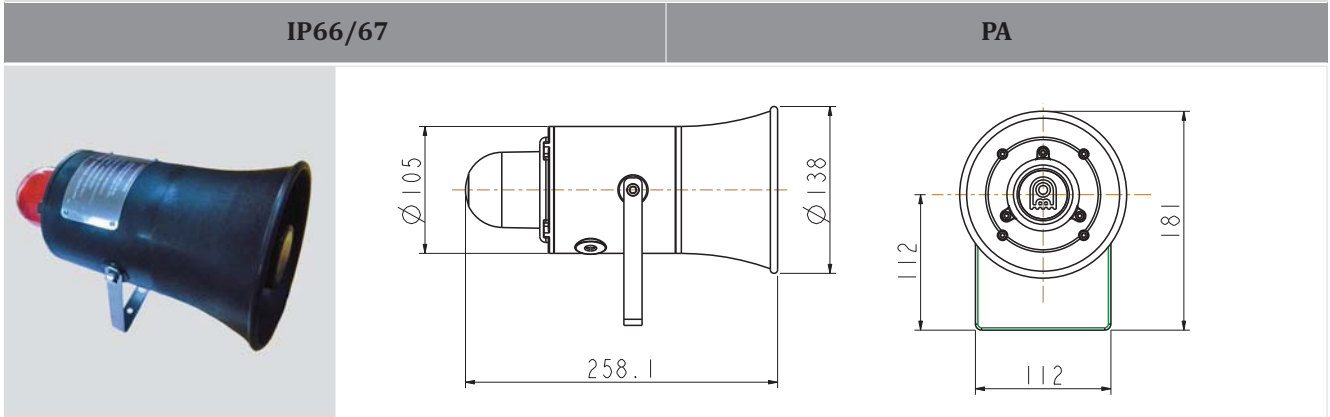


SB100-1 Weather-proof Sounder & Beacon (Single Unit)

SB100 Series



Specification:

Ambient Temperature:	-40 to +70· C
Humidity:	Up to 95% RH
Ingress Protection:	IP66/67
Enclosure and Lens Cover Material:	PC (Polycarbonate)
Bracket Material:	Stainless Steel
Lens Colour:	Red, Yellow (Amber), Blue, Green, Clear
Enclosure Colour:	Black or Others (Specify)
Weight:	SB100-1: 1.95 Kg
Dimension:	SB100-1: L258*dia.138 (mm)
Beacon Type Selection:	LED or Xenon
Tube Energy for Xenon:	2,5,10,15,21 Joule for Selection
LED Output:	Yellow Lens Cover-112 Candela; Red-94 Candela; Green-78 Candela; Blue -60 Candela
Status Type:	Flash; Rotary (LED only); Steady (LED only)
Flash Rate:	60/75/120 times/min (Flash once a time);100/120/150 times/min (Flash twice a time) 120/150/180 times/min (Flash three times a time)
Rotary Rate:	Rotary Rate is the same as Flash Rate. Rotary Type can be specially designed to provide LED in four different colors flashing in sequence.
Tone Selection:	63 tones selection incl. 4 free tones for customized or recorded
Sound Output:	Up to 123dB
Power Supply:	12-48V DC/AC or 100-240V AC
Power Consumption:	Sounder: 5-20W (Adjustable); LED Beacon:5W Xenon Beacon:2 Joule-4W (Max); 5J-10W (Max);10J-15W (Max);15J-20W(Max); 21J: 25W(Max)
Working Currenty:	Sounder: 250mA-1500mA; LED Beacon:220mA (Max) Xenon :2 Joule-160mA(Max); 5J-320mA(Max); 10J-650mA(Max); 15 J-1A(Max); 21J-1.4A (Max)
Terminals:	Accept up to 2.5mm2 Cable
Cable Entry:	1/2* M12, M16 or Others (Specify)
Electromagnetic:	CE ₀₄₇₀ Marked

Ordering Code

Products	Lens Color	Type	Tube Energy (Xenon Only)	Voltage	Duty Label*	Tag Label*	Entry Size	Cable Entry Location	Finish Color
SB100-1	R- Red	L-LED	02-2 Joule	DC- 12-48V DC	N-NO	N-NO	A- M12	L- Left Side	BL- Black
	Y- Yellow	X-Xenon	05-5 Joule	AC1- 12-48V AC	Y-Yes (Specify Wording)	Y-Yes (Specify Wording)	B- M16	R- Right Side	
	B-Blue		10-10 Joule	AC2- 100-240V AC			O-Other	O- Others	
	G-Green		15- 15 Joule						
	C-Clear		20-20 Joule						

i.e. SB1001RX05DCNNALRBL

SB1001	R	X	05	DC	N	N	A	LR	BL
Product	Red	Xenon	5 Joule	12-48V DC	No Duty Lable	No Tag Label	M12 Cable Entry	Left & Right Side	Black Finish

These * accessories need to be ordered seperatedly. Please refer to product datasheet for your information.

AMO reserves the right to improve specifications without prior notice, please refer to our website for updated information.