

Quickstart Guide

GDS-48 Wiring for GDS-IR LEL, %BV or CO₂



Wiring & Installation Instructions for GASMAX II

- 1) Install the GASMAX II gas monitor and GDS-48 as recommended by the GASMAX manual, sections 2.3 and 2.4.
- 2) Connect the GASMAX to the GDS-48 as shown in Fig. 2.
- 3) Turn on the unit and wait 10 minutes for reading to stabilize.
- 4) **Press and hold SW1 for 10 seconds to set zero balance.**
- 5) Calibrate the unit using a 50% LEL mixture to verify proper operation.

Wiring & Installation Instructions for C1 Controller

- 1) Install the C1 *Protector* controller and GDS-48 as recommended by the C1 manual section 3.1.3.
- 2) Connect the C1 Controller to the GDS-48 as shown in Fig. 3.
- 3) Turn on the unit and wait 10 minutes for reading to stabilize.
- 4) **Press and hold SW1 for 10 seconds to set zero balance.**
- 5) Calibrate the unit using a 50% LEL mixture to verify proper operation.

Wiring & Installation Instructions for C2 Controller

- 1) Install the C2 *Protector* controller and GDS-48 as recommended by the C2 manual section 2.0
- 2) Connect the C2 Controller to the GDS-48 as shown in Fig. 4.
- 3) Turn on the unit and wait 10 minutes for reading to stabilize.
- 4) **Press and hold SW1 for 10 seconds to set zero balance.**
- 5) Calibrate the unit using a 50% LEL mixture to verify proper operation.

Important:

Observe Polarity!

Do NOT install with unused junction box inlet facing UP!

Water WILL leak into the junction box!

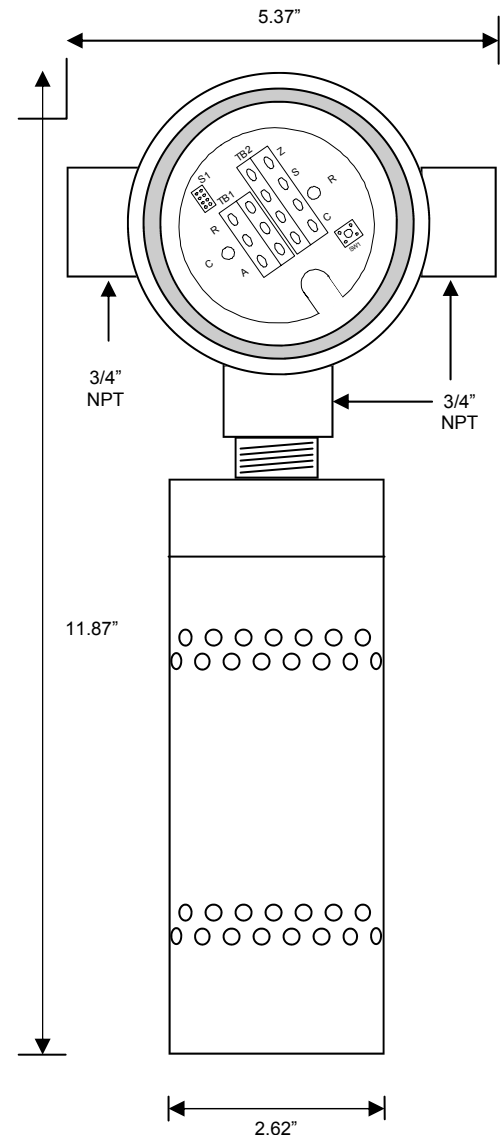
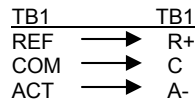
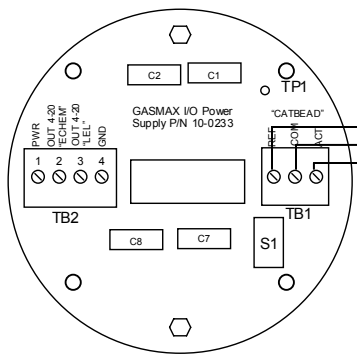


Fig 1.
GDS-48 Remote Sensor Assembly
with GDS-IR

GASMAX II Power Supply Board



Red
White
Black

Ground shield inside GASMAX enclosure only

NOTE: GASMAX II power supply board **must** be factory modified for 4-20mA input

GDS-48 Sensor Assembly PCB

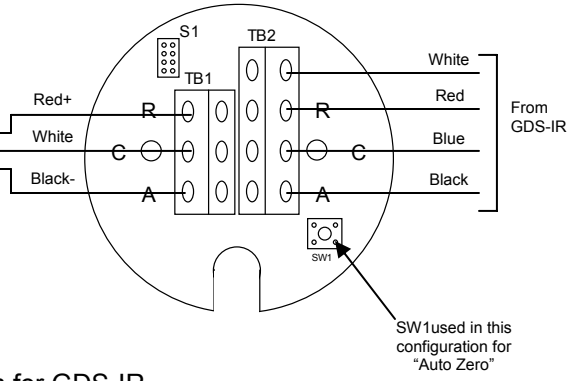
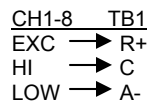
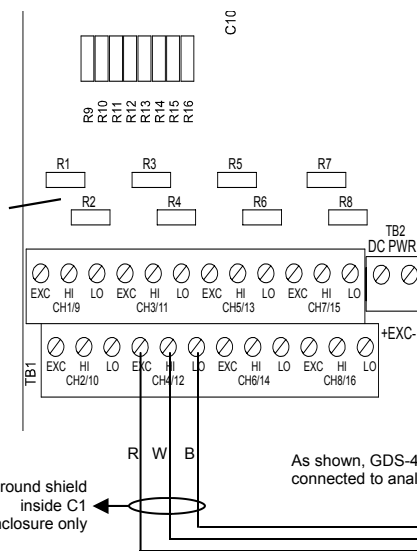


Fig 2. GASMAX II to GDS-48 Wiring Diagram for GDS-IR

C1 "ANALOG" Input Board #10-0158



GDS-48 Sensor Assembly PCB

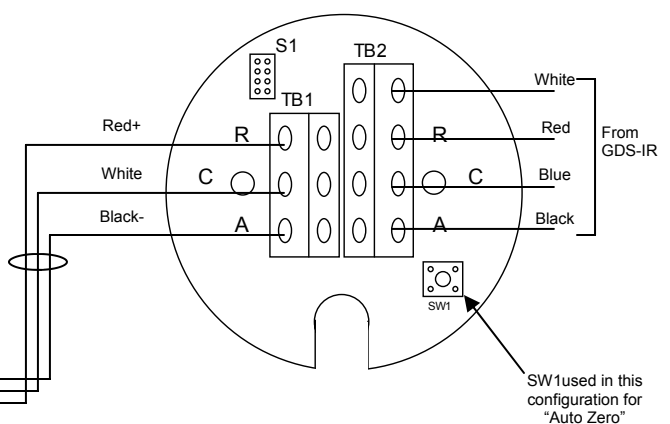
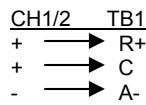
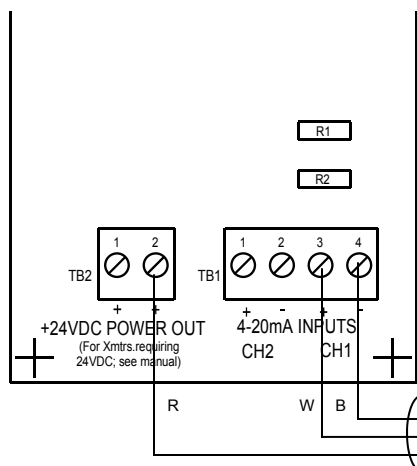
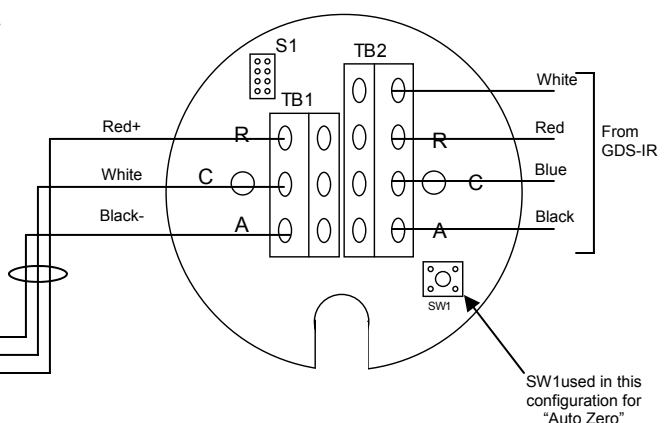


Fig 3. C1 Controller to GDS-48 Wiring Diagram for GDS-IR

C2 Analog Input Board #10-0221*



GDS-48 Sensor Assembly PCB



As shown, GDS-48 connected to analog input channel #1

Fig 4. C2 Controller to GDS-48 Wiring Diagram for GDS-IR

