

Quickstart Guide

GDS-48 Wiring for Remote Toxic / O₂ Sensor



Wiring & Installation Instructions for GASMAX / EC

1. Install the GASMAX / EC or GASMAX II gas monitor and GDS-48 as recommended by the GASMAX manual, sections 2.3 and 2.4.
2. Connect the GASMAX / EC or GASMAX II to the GDS-48 as shown in Fig. 2. (S = SEN, R = REF, C = CTR). Be sure to use the 25ft shielded cable supplied with the GDS-48.

IMPORTANT: If GASMAX / EC installation is to be Intrinsically Safe, install GASMAX / EC per drawing #11-0100 as shown in GASMAX manual, section 2.7a.

3. Calibrate the unit using a 50% target gas mixture to verify proper operation.

Wiring & Installation Instructions for C2 Controller using 10-0216 Catalytic Bead / EC Input Board

1. Install the C2 *Protector* controller and GDS-48 as recommended by the C2 manual, section 3.1.2.
2. Connect the GASMAX / EC or GASMAX II to the GDS-48 as shown in Fig. 3. (S = SEN, R/mA = REF, C = CTR). Be sure to use the 25ft shielded cable supplied with the GDS-48.
3. Calibrate the unit using a 50% target gas mixture to verify proper operation.

Wiring & Installation Instructions for C2 Controller using the 10-0220 dual channel Echem Input Board

1. Install the C2 *Protector* controller and GDS-48 as recommended by the C2 manual, section 3.1.5.
2. Connect the GASMAX / EC or GASMAX II to the GDS-48 as shown in Fig. 4. (S = SEN, R/mA = REF, C = CTR). Be sure to use the 25ft shielded cable supplied with the GDS-48.
3. Calibrate the unit using a 50% target gas mixture to verify proper operation.

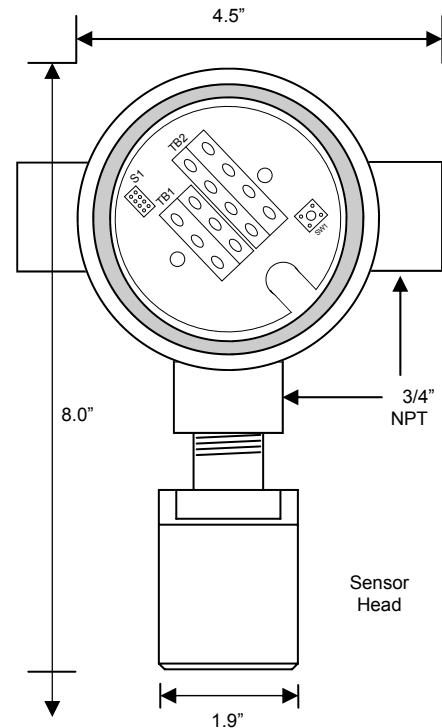


Fig 1.
GDS-48 Remote Sensor Assembly

Important:

When installing a remote toxic or O₂ sensor, be sure to use the shielded cable supplied with the GDS-48.

Failure to use the supplied cable may compromise measurement accuracy.

**Do NOT install with unused junction box inlet facing UP!
Water WILL leak into the junction box!**

GASMAX EC / GASMAX II Display Assembly Board (Backside)

GDS-48 Sensor Assembly PCB

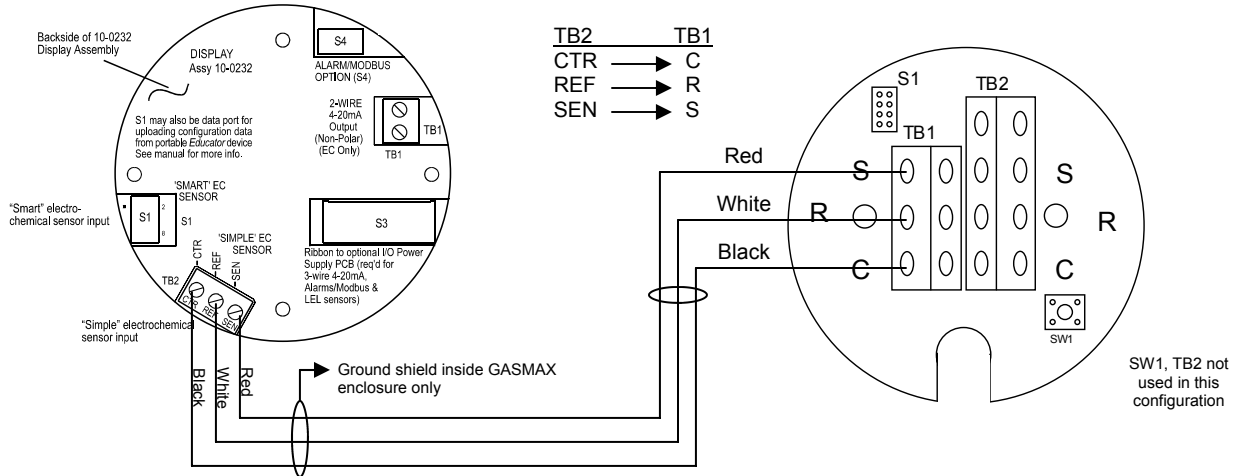


Fig 2. GASMAX II to GDS-48 Wiring Diagram for Toxic/EC Sensors

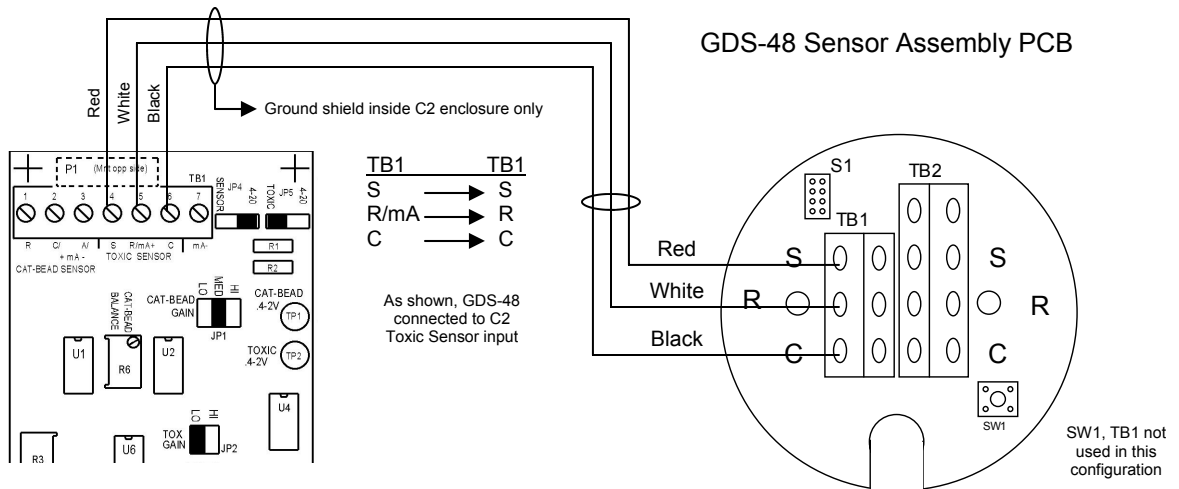


Fig 3. C2 Controller #10-0216 EC/LEL board to GDS-48 Wiring Diagram for Toxic/EC Sensors

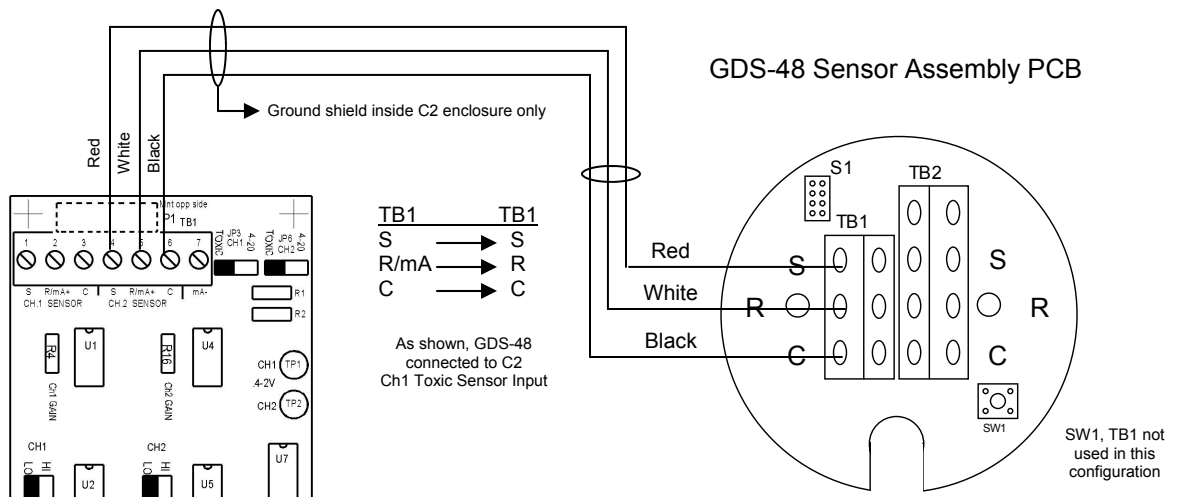


Fig 4. C2 Controller #10-0220 Dual EC board to GDS-48 Wiring Diagram for Toxic/EC Sensors