

Quickstart Guide

GASMAX / EC Gas Monitor for EC Sensors



INSTALLATION

IMPORTANT - Before installing the GASMAX EC, make sure there are no toxic or combustible gases are present. Declassify the area if necessary.

Factors such as air movement by fans, prevailing winds, convection, gas density, emission sources and environmental variables should be taken into account when determining sensor location. As with all sensors, the GASMAX /EC should be protected from falling or directed water, snow, shock, vibration and dirt.

Use conduit and installation practices approved for the appropriate area classification. When installed with #10-0247 Stainless Steel sensor head, the GASMAX / EC is certified for use in areas rated Class 1, Div 1, Groups B, C & D.

If desired, the GASMAX / EC can be installed as 'intrinsically safe'. This requires the installation of a barrier in the wiring to limit the maximum current flow (see drawing on back). If equipped with #10-0247IS Aluminum sensor head, the GASMAX / EC **must** be installed as Intrinsically Safe if used in a rated hazardous area.

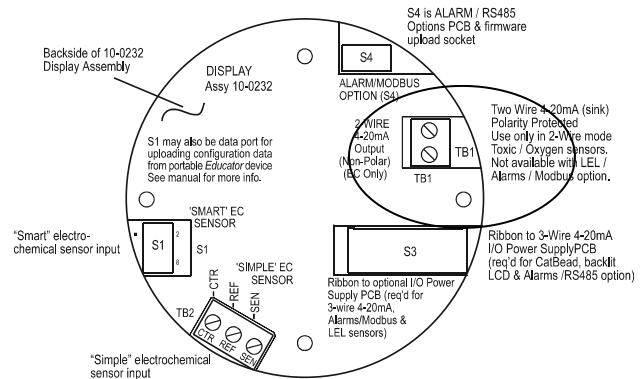


Fig 1. GASMAX / EC Display Board

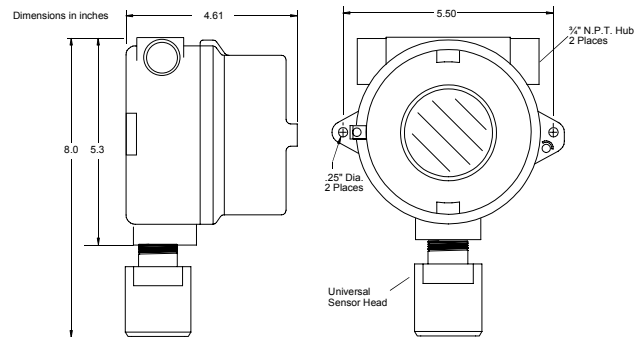


Fig 2. GASMAX / EC Dimensions

WIRING

Remove the GASMAX / EC display assembly by unscrewing the explosion-proof cover, loosening the two thumbscrews and removing the electronics assembly. The display board is located on the back of the electronics assembly (See Figure 1).

Attach the two current loop wires to the display board connector TB1. Polarity is NOT important.

Reattach the display assembly to the enclosure and replace the explosion proof cover.

CALIBRATION

Apply power and allow the instrument to warm up for a minimum of three (3) hours.

Hold the magnetic wand next to the CAL button (lower left side of display) until the screen indicates CAL? Hold the wand over the EDIT button to confirm calibration mode.

Follow the on-screen instructions to calibrate the unit. When calibration is complete, the GASMAX / EC will indicate CAL DELAY and then resume normal operation. For more information, please read the GASMAX / EC Users Manual supplied with the unit.

