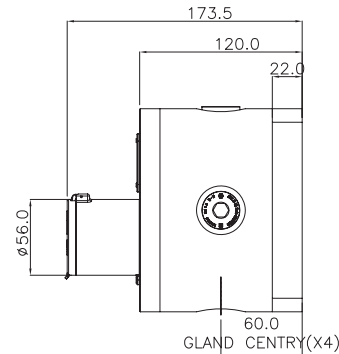
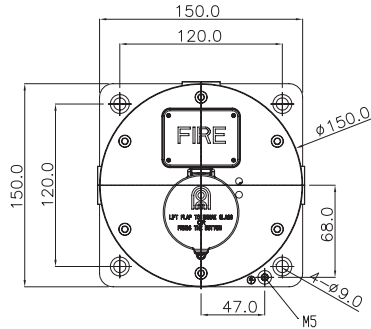




PB150 Explosion Proof Push Button
PB150 Series



ATEX: II2G Exd IIC T4~T6	Zone 1 & Zone 2	IP66	GRP
--------------------------	-----------------	------	-----



Specification:

Certification:	ATEX: II 2G Exd IIC T4~T6
Ambient Temperature:	-40 to +70° C
Humidity:	Up to 95% RH
Ingress Protection:	IP66
Enclosure Material:	UV and Corrosion Resistance GRP (Anti Static GRP Optional)
Push Button Assembly Material:	Stainless Steel
Enclosure Colour:	Red, Blue, Yellow, Black/Yellow Stripes or Others (Selectable)
Weight:	4.2Kg
Dimension:	L150*W150*H173.5 (mm)
Power Supply:	24V DC or 100-240V AC
Switch Rating:	250V AC- 11A (Resistive), 6A (Inductive) 30V DC- 6A (Resistive), 6A (Inductive)
Output	On-off Output (NC/NO) or 4-20mA DC
Terminals:	Accept up to 2.5mm ² Cable
Cable Entry:	4* M20, M25, 1/2" NPT, 3/4"NPT or Others
Electromagnetic:	CE ₀₄₇₀ Marked

Ordering Code

Products	Switch	Duty Label*	Tag Label*	Reset	LED Indicator*	Features*	Entry Size	Finish Color
PB150	S- Single Switch D- Double Switch*	N-No Y-Yes (Specify Wording)	N-No Y-Yes (Specify Wording)	S-Self Reset K-Key Reset	L-Red & Green LED	F-Flap	A- M20	R-Red
					R- Red LED	R-Resistor (Specify)	B- M25	B-Blue
					G- Green LED	D-Diode (Specify)	C-1/2" NPT	Y-Yellow
					N- No LED	N- None	D-3/4" NPT	S-Black/Yel-low Stripes
							O-Other	O-Others (Specify)

i.e. PB150SNNLFRAR

PB150	S	N	N	K	L	FR	A	R
Product	Single Switch	No Duty Label	No Tag Label	Key Reset	Red & Green LED	Flap & Resistor	M20 Cable Entry	Red Finish

These * accessories need to be ordered seperately. Please refer to product datasheet for your information.