
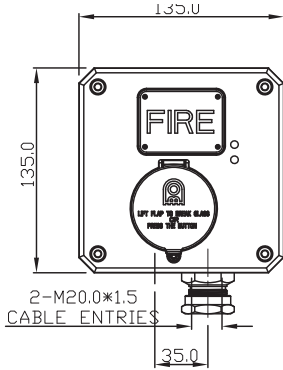
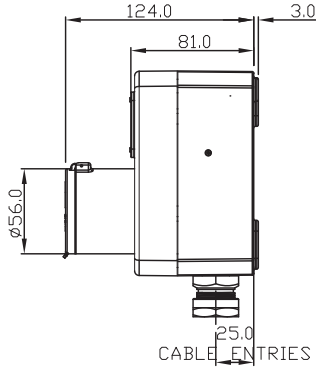
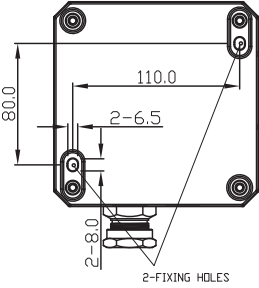




**PB135 Explosion Proof Push Button**  
**PB135 Series**



ATEX: II2G Exd IIB+H <sub>2</sub> T4~T6	Zone 1 & Zone 2	IP66	GRP
			

**Specification:**

Certification:	ATEX: II 2G Exd IIB+H <sub>2</sub> T4~T6
Ambient Temperature:	-40 to +70 C
Humidity:	Up to 95% RH
Ingress Protection:	IP66
Enclosure Material:	UV and Corrosion Resistance GRP (Anti Static GRP Optional)
Push Button Assembly Material:	Stainless Steel
Enclosure Colour:	Red ,Blue, Yellow, Black/Yellow Stripes or Others (Selectable)
Weight:	2.0 Kg
Dimension:	L135*W135*H124.5 (mm)
Power Supply:	24V DC or 100-240V AC
Switch Rating:	250V AC- 11A (Resistive), 6A (Inductive) 30V DC- 6A (Resistive), 6A (Inductive)
Output	On-off OUtput ( NC/NO) or 4-20mA DC
Terminals:	Accept up to 2.5mm <sup>2</sup> Cable
Cable Entry:	2* M20, M25, 1/2" NPT, 3/4"NPT or Others
Electromagnetic:	CE <sub>0470</sub> Marked

**Ordering Code**

Products	Switch	Duty Label*	Tag Label*	Reset	LED Indicator*	Features*	Entry Size	Entry Size	Finish Color
PB135	S- Single Swith  D- Double Switch*	N-NO  Y-Yes (Specify Wording)	N-NO  Y-Yes (Specify Wording)	S-Self Reset  K- Key Reset	L-Red & Green LED	F-Flap	A- M20	T-Top Face	R-Red
					R- Red LED	R-Resistor (Specify)	B- M25	B-Bottom Face	B-Blue
					G- Green LED	D-Diode (Specify)	C-1/2" NPT		Y-Yellow
					N- No LED	N- None	D-3/4" NPT		S-Black/Yel-low Stripes
						O-Other		O-Others (Specify)	

i.e. CP135SNNSLFRABR

CP125	S	N	N	S	L	FR	A	B	R
Product	Single Swith	No Duty Label	No Tag Label	Self Reset	Red & Green LED	Flap & Resistor	M20 Cable Entry	Cable Entry on Bottom	Red Finish

\*These\* \* accessories need to be ordered seperately. Please refer to product datasheet for your information.

\*\* Standard glass label is "Break Glass Press Here"