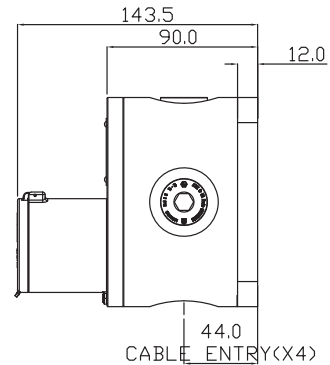
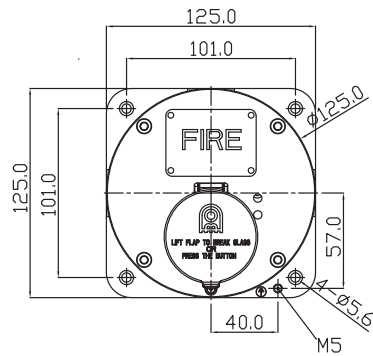




PB125 Explosion Proof Push Button
PB125 Series



ATEX: II2G Exd IIC T4~T6	Zone 1 & Zone 2	IP66	Stainless Steel
--------------------------	-----------------	------	-----------------



Specification:

Certification:	ATEX: II 2G Exd IIC T4~T6
Ambient Temperature:	-40 to +70· C
Humidity:	Up to 95% RH
Ingress Protection:	IP66
Enclosure Material:	Stainless Steel
Push Button Assembly Material:	Stainless Steel
Enclosure Colour:	Red, Blue, Yellow, Black/Yellow Stripes or Others (Selectable)
Weight:	4.9Kg
Dimension:	L125*W125*H143.5 (mm)
Power Supply:	24V DC or 100-240V AC
Switch Rating:	250V AC- 11A (Resistive), 6A (Inductive) 30V DC- 6A (Resistive), 6A (Inductive)
Output	4-20mA DC
Terminals:	Accept up to 2.5mm2 Cable
Cable Entry:	4* M20, M25, 1/2" NPT, 3/4"NPT or Others
Electromagnetic:	CE ₀₄₇₀ Marked

Ordering Code

Products	Switch	Duty Label*	Tag Label*	Reset	LED Indicator*	Features*	Entry Size	Finish Color
PB125	S- Single Swith D- Double Switch*	N-No Y-Yes (Specify Wording)	N-No Y-Yes (Specify Wording)	S-Self Reset	L-Red & Green LED	F-Flap	A- M20	R-Red
				K-Key Reset	R- Red LED	R-Resistor (Specify)	B- M25	B-Blue
					G- Green LED	D-Diode (Specify)	C-1/2" NPT	Y-Yellow
					N- No LED	N- None	D-3/4" NPT	S-Black/Yel-low Stripes
							O-Other	O-Others (Specify)

i.e. PB125SNNLFRAR

PB125	S	N	N	K	L	FR	A	R
Product	Single Swith	No Duty Label	No Tag Label	Key Reset	Red & Green LED	Flap & Resistor	M20 Cable Entry	Red Finish

These * "accessories need to be ordered seperately. Please refer to product datasheet for your information.