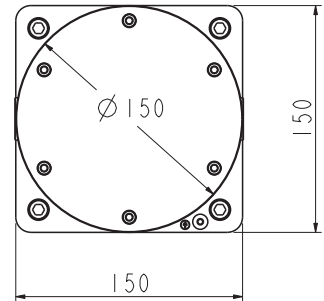
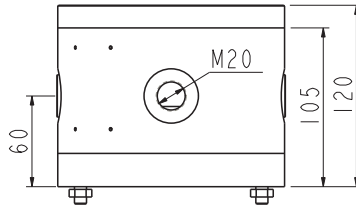
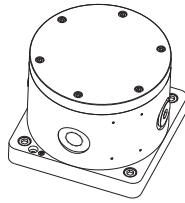




JB150 Explosion Proof Junction Box
JB150 Series

ATEX: II2G Exd IIC T4~T6	Zone 1 & Zone 2	IP66/67	GRP
--------------------------	-----------------	---------	-----



Specification:

Certification:	ATEX: II 2G Exd IIC T4~T6
Ambient Temperature:	-40 to +70- C
Humidity:	Up to 95% RH
Ingress Protection:	IP66/67
Enclosure Material:	GRP
Enclosure Colour:	Red ,Blue, Black or Others (Selectable)
Weight:	3.0Kg
Dimension:	L150*W150*H120 (mm)
Cable Entry:	4* M20, M25, 1/2" NPT, 3/4"NPT or Others
Electromagnetic:	CE ₀₄₇₀ Marked

Ordering Code

Products	Terminal Block	Entry Size	Finish Color
JB150	08-8 Holes 10-10 Holes	A- M20 B- M25 C-1/2" NPT D-3/4" NPT O-Other	R-Red B-Blue BL-Black O-Others (Specify)
i.e. JB15008AR			
JB150	08	A	R
Product	8 Holes	M20 Cable Entry	Red Finish