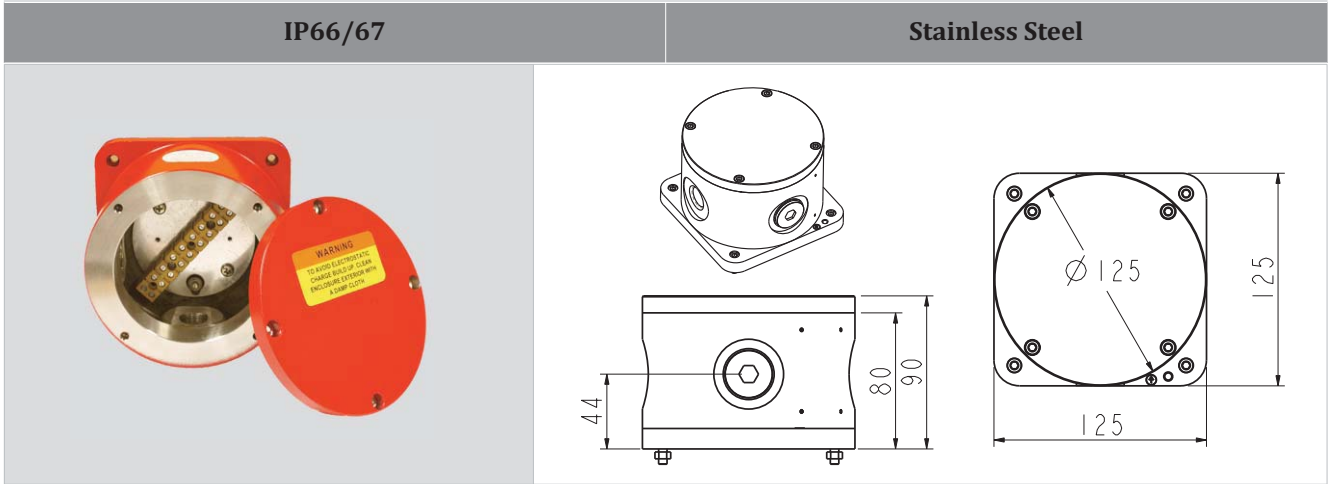


JB125N Weather-proof & Heavy Duty Junction Box JB125N Series



Specification:

Ambient Temperature:	-40 to +70· C
Humidity:	Up to 95% RH
Ingress Protection:	IP66/67
Enclosure Material:	Stainless Steel
Enclosure Colour:	Red ,Blue, Black or Others (Selectable)
Weight:	3.5Kg
Dimension:	L125*W125*H90 (mm)
Cable Entry:	4* M20, M25, 1/2" NPT, 3/4"NPT or Others
Electromagnetic:	CE ₀₄₇₀ Marked

Ordering Code

Products	Terminal Block	Entry Size	Finish Color
JB125N	08-8 Holes 10-10 Holes	A- M20 B- M25 C-1/2" NPT D-3/4" NPT O-Other	R-Red B-Blue BL-Black O-Others (Specify)

i.e. JB125N08AR

JB125N	08	A	R
Product	8 Holes	M20 Cable Entry	Red Finish