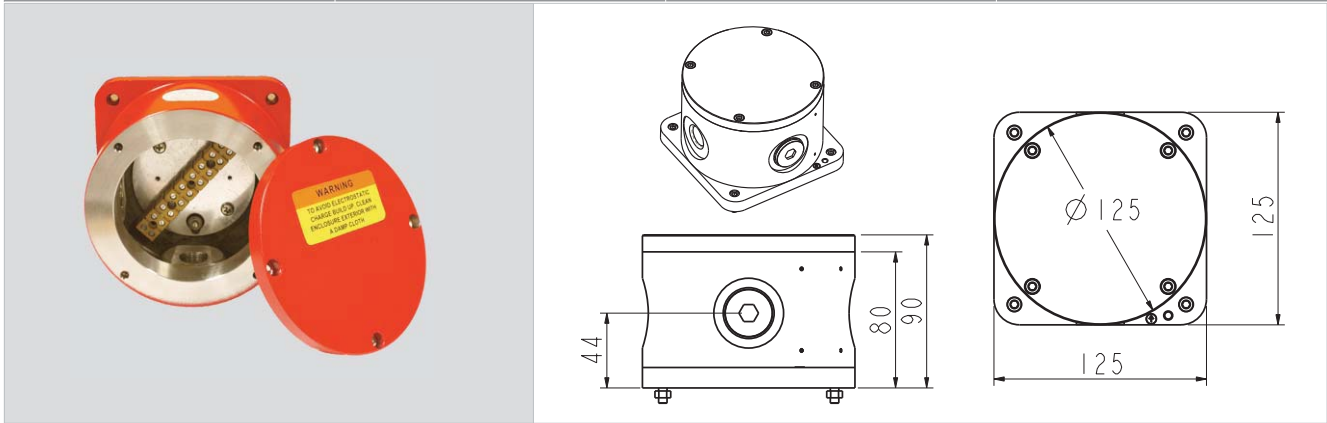




JB125 Explosion Proof Junction Box
JB125 Series

| | | | |
|---------------------------------|----------------------------|----------------|------------------------|
| ATEX: II2G Exd IIC T4~T6 | Zone 1 & Zone 2 | IP66/67 | Stainless Steel |
|---------------------------------|----------------------------|----------------|------------------------|



Specification:

| | |
|----------------------|--|
| Certification: | ATEX: II 2G Exd IIC T4~T6 |
| Ambient Temperature: | -40 to +70 C |
| Humidity: | Up to 95% RH |
| Ingress Protection: | IP66/67 |
| Enclosure Material: | Stainless Steel |
| Enclosure Colour: | Red ,Blue, Black or Others (Selectable) |
| Weight: | 3.5Kg |
| Dimension: | L125*W125*H90 (mm) |
| Cable Entry: | 4* M20, M25, 1/2" NPT, 3/4"NPT or Others |
| Electromagnetic: | CE ₀₄₇₀ Marked |

Ordering Code

| Products | Terminal Block | Entry Size | Finish Color |
|-----------------------|---------------------------|---|---|
| JB125 | 08-8 Holes 10-10 Holes | A- M20 B- M25 C-1/2" NPT D-3/4" NPT O-Other | R-Red B-Blue BL-Black O-Others (Specify) |
| i.e. JB12508AR | | | |
| JB125 | 08 | A | R |
| Product | 8 Holes | M20 Cable Entry | Red Finish |