

GASMAX II Power Supply Board

GDS-48 Sensor Assembly PCB

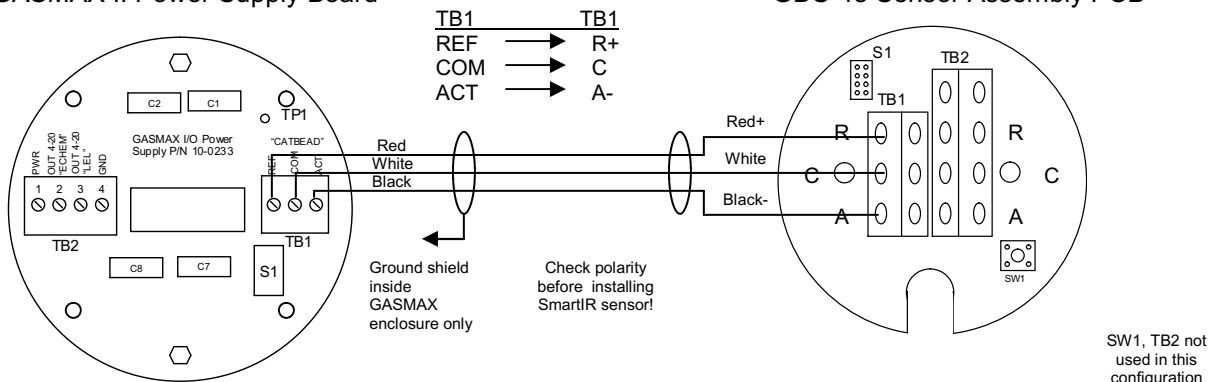


Fig 2. GASMAX II to GDS-48 Wiring Diagram for SmartIR

C1 8 Channel "CATBEAD" Sensor Option #10-0191 / 10-0192

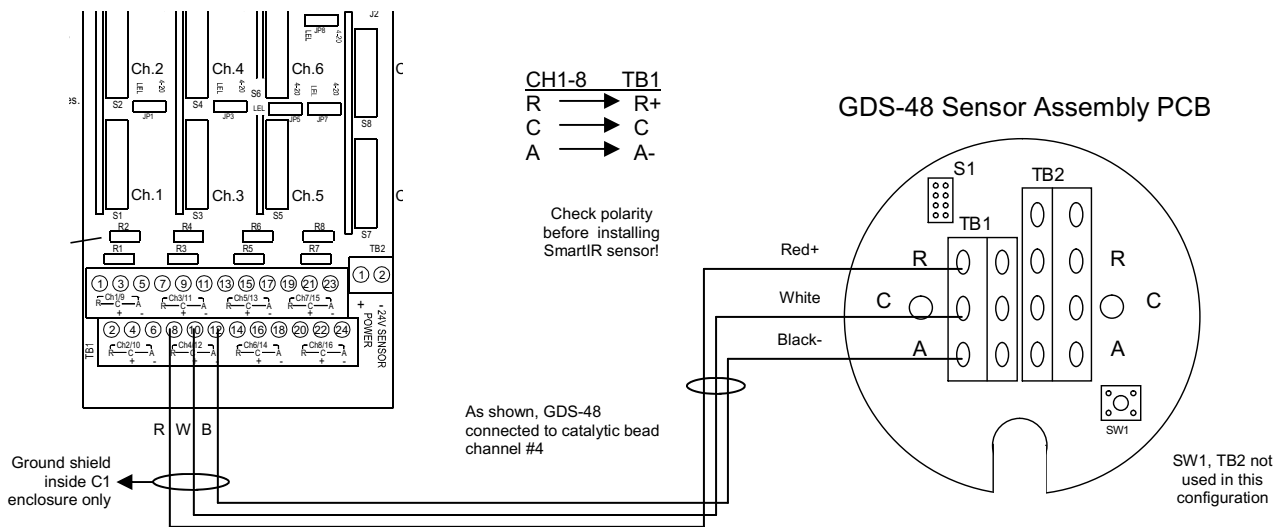


Fig 3. C1 Controller to GDS-48 Wiring Diagram for SmartIR

C2 Catalytic Bead Sensor Input Board #10-0219*

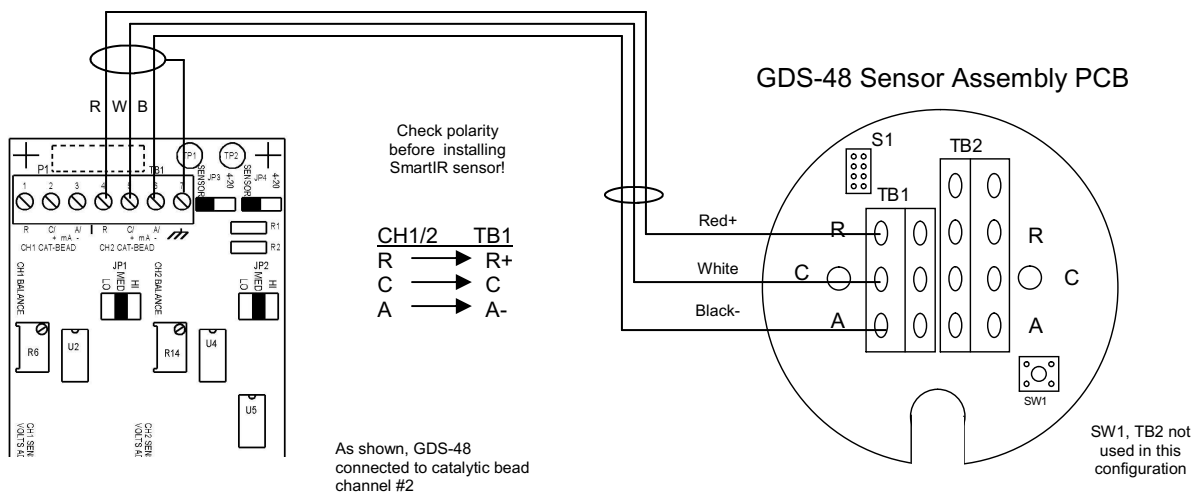


Fig 4. C2 Controller to GDS-48 Wiring Diagram for SmartIR