

1

SPECTRA B400LDA

L.E.D. Array Beacon

32 x High powered L.E.D's

9 Selectable user modes

IP Rating: IP65

Temp: -25°C to +50°C

Unit weight: 845g DC 595g AC

CE

Dimensions : Ø140 x 225mm

1.5mm² terminals

Cable entry: 1 x 5-7mm push through

grommet

2 x M20 cable entry (IP65)

X = Lens colour

R = Red

B = Blue

Y = Yellow

A = Amber

G = Green

Order code Voltage

B400LDA050B/x 10-50V DC 400mA

B400LDA115B/x 115V AC 140mA

B400LDA230B/x 230V AC 70mA

Mountings

B400RAB001 Right angle bracket

B400TMA001 Tube mounting assembly

Tel : +44 (0)20 8743 8880 Fax : +44 (0)20 8740 4200
email : sales@e2s.com web : www.e2s.com



2

ATTENTION: Installation must be carried out by an electrician in compliance with the latest codes and regulations.

ATTENTION: Disconnect from power source before installation or service to prevent electric shock.

ATTENTION: Lens on unit will be hot allow to cool prior to removal.

3

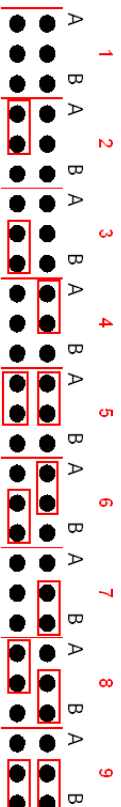
B400LDA

Stage 1 [DC & AC unit]

Stage2 [DC unit only]

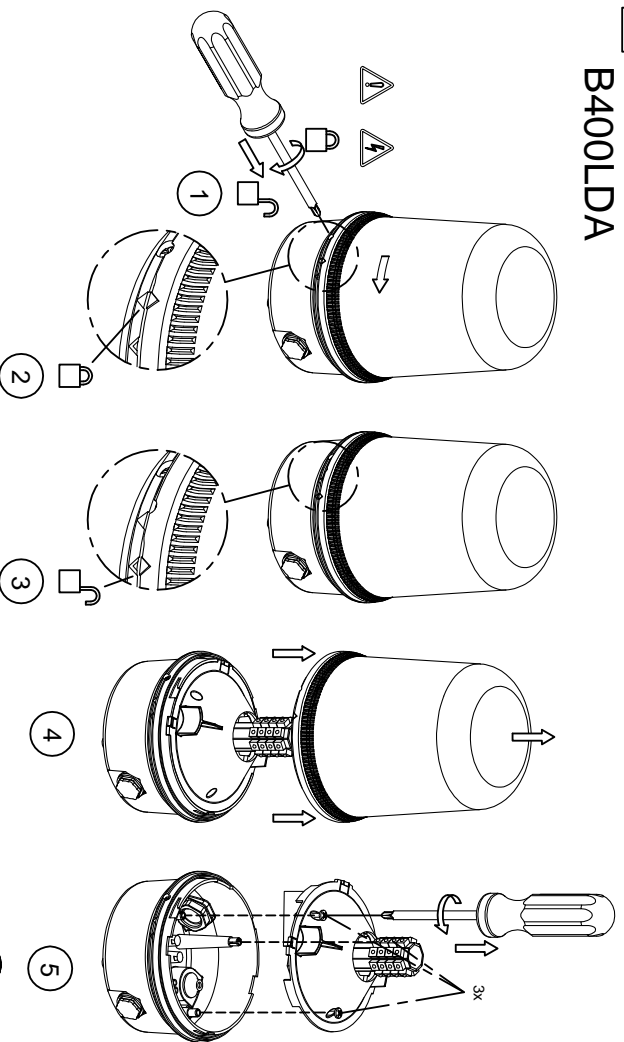
Stage3 [DC unit only]

1	All L.E.D's on	Alternate Side Flash 2Hz	Double Strike Flash 2Hz
2	Rotating: Slow 1	Alternate Side Flash 2Hz	All L.E.D's on
3	Single Strike Flash 2Hz	Rotating: Fast 2	All L.E.D's on
4	Rotating: Fast 1	Single Strike Flash 2Hz	All L.E.D's on
5	Rotating: Slow 2	Double Strike Flash 1Hz	All L.E.D's on
6	Double Strike Flash 2Hz	Rotating: Fast 2	All L.E.D's on
7	Rotating: Fast 2	Double Strike Flash 2Hz	All L.E.D's on
8	Double Strike Flash 1Hz	Alternate Side Flash 2Hz	All L.E.D's on
9	Alternate Side Flash 2Hz	Rotating: Fast 2	All L.E.D's on



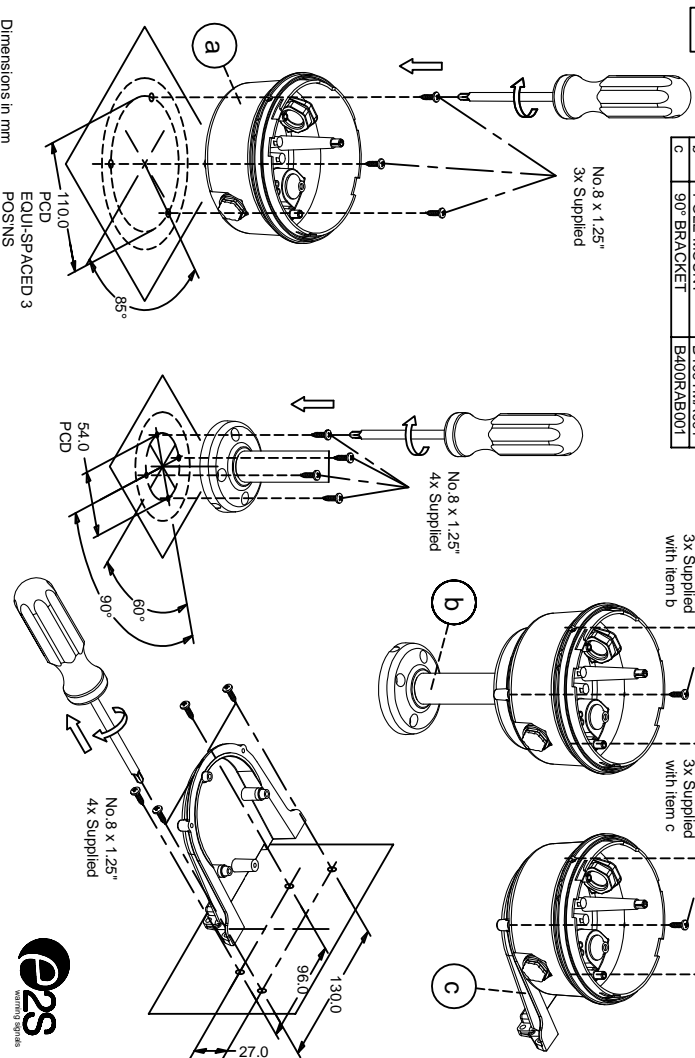
A SPECIIRA

B400LDA



B

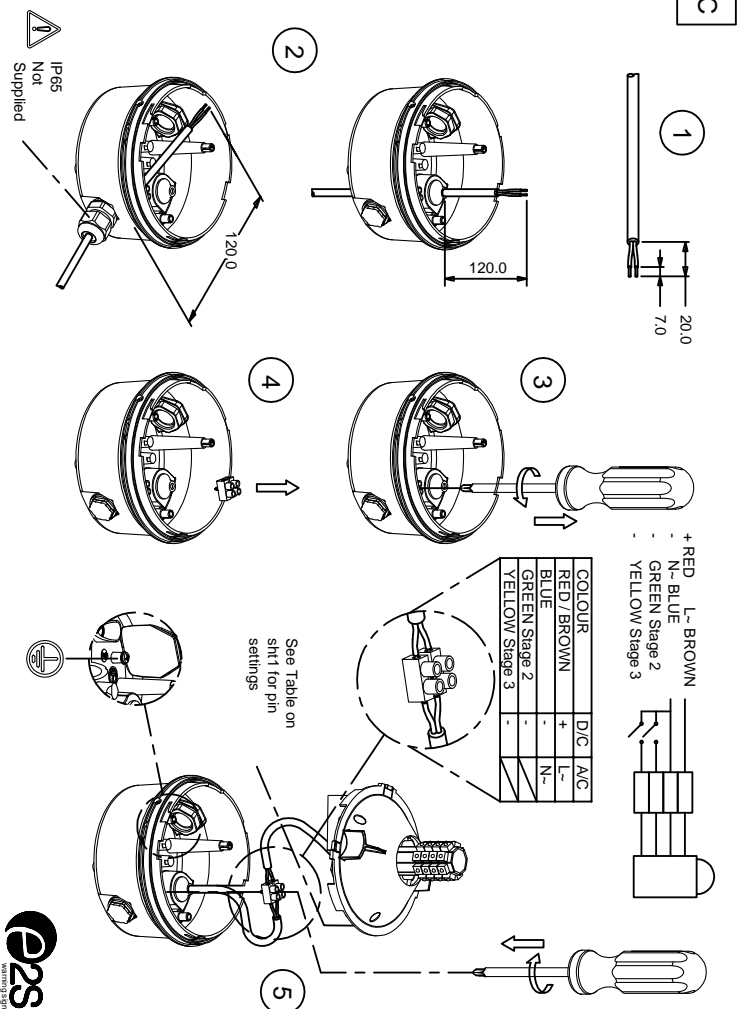
MOUNTING OPTIONS	
a	STANDARD BASE
b	POLE MOUNT
c	90° BRACKET
	B400TMA001
	B400RAB001



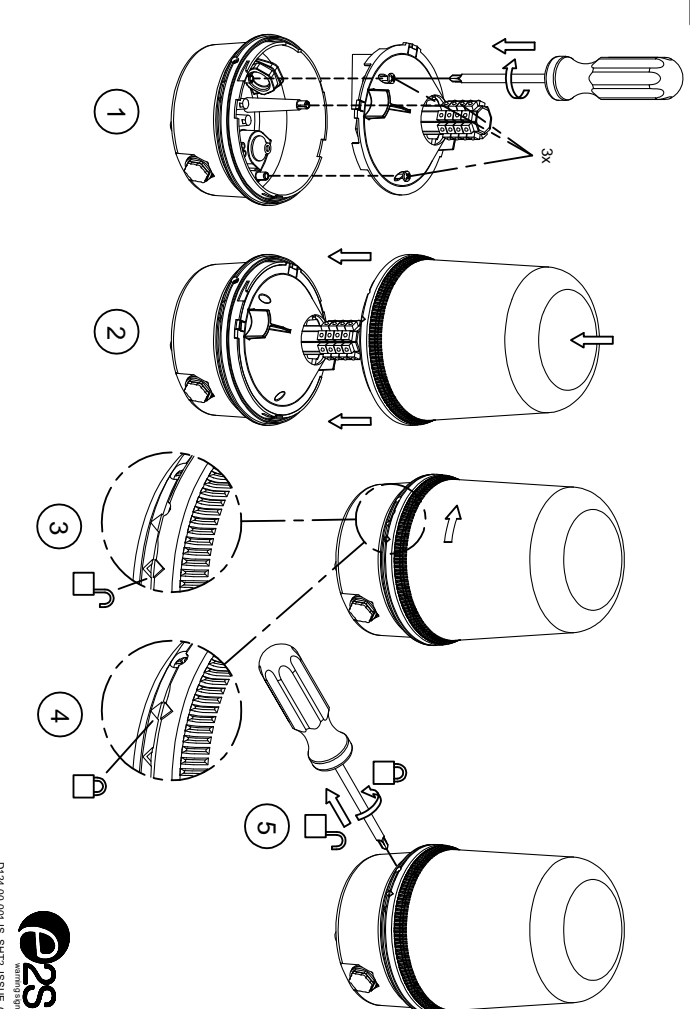
Tel: +44 (0)20 8743 8880 Fax: +44 (0)20 8740 4200
 email: sales@e2s.com web: www.e2s.com



C



D



Dimensions in mm

PCD
EQUI-SPACED 3
POSNS



D124-00-001-15-SHTZ-155UE-C

