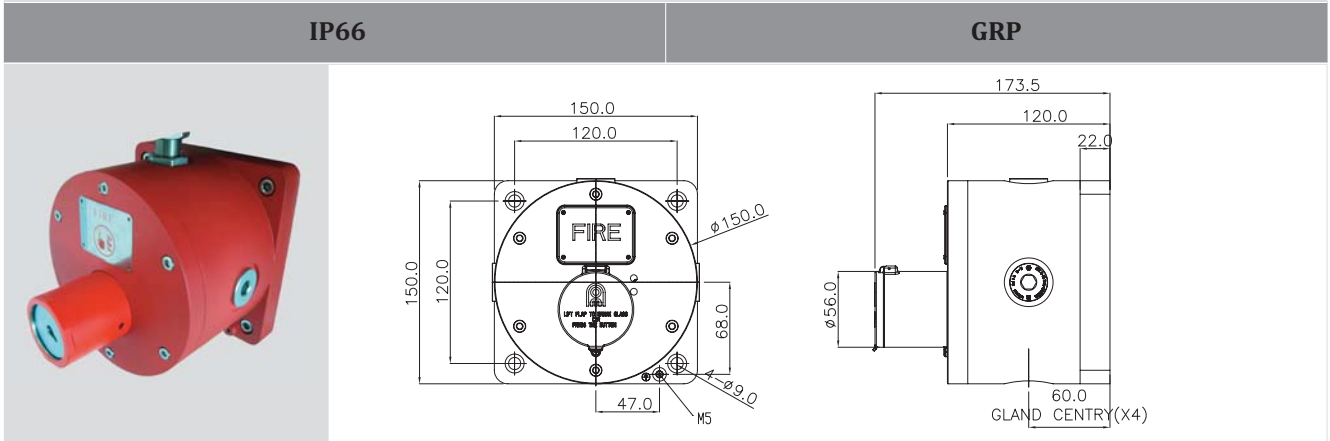


CP150N Weather-proof & Heavy Duty Manual Call Point

CP150N Series



Specification:

Ambient Temperature:	-40 to +70 C
Humidity:	Up to 95% RH
Ingress Protection:	IP66
Enclosure Material:	UV and Corrosion Resistance GRP (Anti Static GRP Optional)
Push Button Assembly Material:	Stainless Steel
Enclosure Colour:	Red, Blue, Yellow, Black/Yellow Stripes or Others (Selectable)
Weight:	4.2Kg
Dimension:	L150*W150*H164 (mm)
Power Supply:	24V DC or 100-240V AC
Switch Rating:	250V AC- 11A (Resistive), 6A (Inductive) 30V DC- 6A (Resistive), 6A (Inductive)
Output	On-off OUtput (NC/NO) or 4-20mA DC
Terminals:	Accept up to 2.5mm2 Cable
Cable Entry:	4* M20, M25, 1/2" NPT, 3/4"NPT or Others
Electromagnetic:	CE ₀₄₇₀ Marked

Ordering Code

Products	Switch	Duty Label*	Tag Label*	LED Indicator*	Features*	Entry Size	Finish Color
CP150N	S- Single Swith D- Double Switch*	N-No	N-No	L-Red & Green LED	F-Flap	A- M20	R-Red
		Y-Yes (Specify Wording)	Y-Yes (Specify Wording)	R- Red LED	R-Resistor (Specify)	B- M25	B-Blue
				G- Green LED	D-Diode (Specify)	C-1/2" NPT	Y-Yellow
				N- No LED	N- None	D-3/4" NPT	S-Black/Yel-low Stripes
						O-Other	O-Others (Specify)

i.e. CP150NSNNLFRAR

CP150N	S	N	N	L	FR	A	R
Product	Single Swith	No Duty Label	No Tag Label	Red & Green LED	Flap & Resistor	M20 Cable Entry	Red Finish

These * accessories need to be ordered seperately. Please refer to product datasheet for your information.