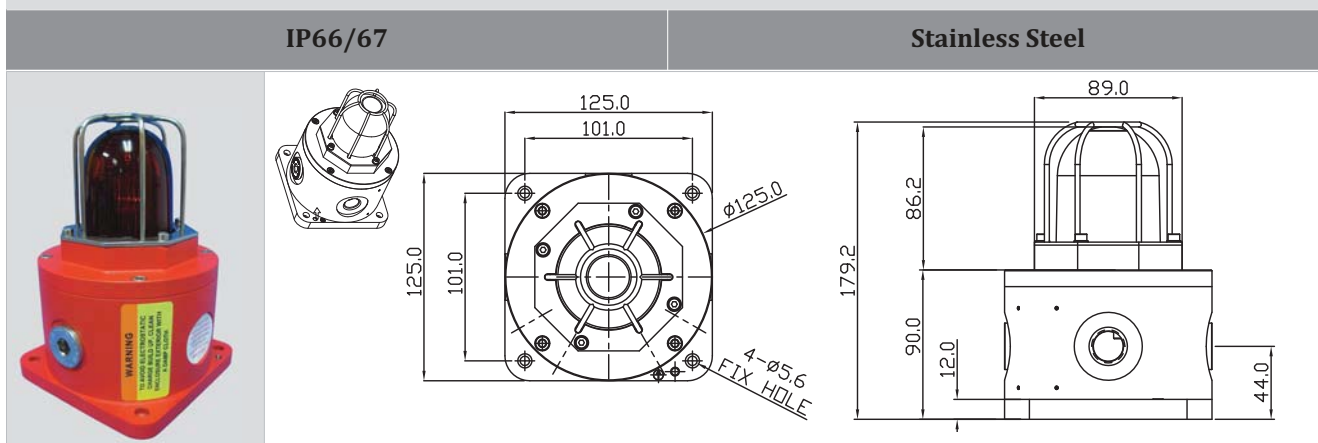


# BC125N Weather-proof & Heavy Duty Beacon/Light

## BC125N Series



### Specification:

Ambient Temperature:	-40 to +70 C
Humidity:	Up to 95% RH
Ingress Protection:	IP66/67
Enclosure Material:	Stainless Steel
Lens Guard (Optional) Material:	Stainless Steel
Lens Cover Material:	Tempered Glass
Lens Colour:	Red, Yellow (Amber), Blue, Green, Clear
Enclosure Colour:	Red, Blue, Black or Others (Selectable)
Weight:	4.5Kg
Dimension:	L125*W125*H176.5 (mm) w/o Lens Guard
Type Selection:	Xenon or LED
Tube Energy for Xenon:	2,5,10,15,21 Joule for Selection
LED Output:	Yellow Lens Cover-112 Candela; Red-94 Candela; Green-78 Candela; Blue -60 Candela
Status Type:	Flash; Rotary (LED only); Steady (LED only)
Flash Rate:	60/75/120 times/min (Flash once a time);100/120/150 times/min (Flash twice a time) 120/150/180 times/min (Flash three times a time)
Rotary Rate (LED Only):	Rotary Rate is the same as Flash Rate. Rotary Type can be specially designed to provide LED in four different colors flashing in sequence.
Power Supply:	12-48V DC/AC or 100-240V AC
Power Consumption:	Xenon:2 Joule: 4W (Max); 5J: 10W (Max);10J: 15W (Max);15J: 20W(Max); 21J: 25W(Max) LED:5 W
Working Currenty:	Xenon:2 Joule:160mA(Max); 5J: 320mA(Max); 10J:650mA(Max); 15J: 1A(Max); 21J:1.4A (Max) LED:220mA (Max)
Terminals:	Accept up to 2.5mm <sup>2</sup> Cable
Cable Entry:	4* M20, M25, 1/2" NPT, 3/4"NPT or Others
Electromagnetic:	CE <sub>0470</sub> Marked

### Ordering Code

Prod-ucts	Lens Color	Type	Tube Energy (Xenon Only)	Voltage	Duty Label*	Tag Label*	Lens Guard*	Entry Size	Finish Color
BC125N	R- Red	L- LED	02-2 Joule	DC-12-48V DC	N-NO Y-Yes (Specify Wording)	N-NO Y-Yes (Specify Wording)	N-NO Y-Yes	A- M20	R-Red
	Y- Yellow		05-5 Joule					B- M25	B-Blue
	B-Blue	X- Xenon	10-10 Joule	AC1-12-48V AC				C-1/2" NPT	BL-Black
	G-Green		15- 15 Joule					D-3/4" NPT	O-Others (Specify)
C-Clear		20-20 Joule	AC2- 100-240V AC	O-Other					

### i.e. BC125NRX05DCNNR

<b>BC125N</b>	<b>R</b>	<b>X</b>	<b>05</b>	<b>DC</b>	<b>N</b>	<b>N</b>	<b>N</b>	<b>A</b>	<b>R</b>
Product	Red	Xenon	5 Joule	12-48V DC	No Duty Lable	No Tag Label	No Lens Guard	M20 Cable Entry	Red Finish

\*These\* \* accessories need to be ordered seperately. Please refer to product datasheet for your information.

AMO reserves the right to improve specifications without prior notice, please refer to our website for updated information.