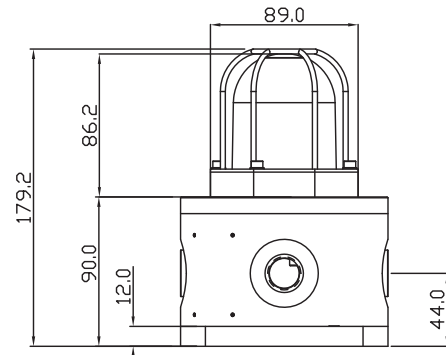
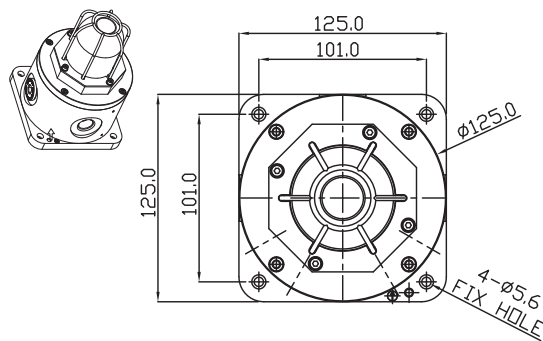




BC125 Explosion Proof Beacon/Light
BC125 Series



ATEX: II2G Exd IIC T4~T6	Zone 1 & Zone 2	IP66/67	Stainless Steel
---------------------------------	----------------------------	----------------	------------------------



Specification:

Certification:	ATEX: II 2G Exd IIC T4~T6
Ambient Temperature:	-40 to +70 C
Humidity:	Up to 95% RH
Ingress Protection:	IP66/67
Enclosure Material:	Stainless Steel
Lens Guard (Optional) Material:	Stainless Steel
Lens Cover Material:	Tempered Glass
Lens Colour:	Red, Yellow (Amber), Blue, Green, Clear
Enclosure Colour:	Red ,Blue, Black or Others (Selectable)
Weight:	4.5Kg
Dimension:	L125*W125*H176.5 (mm) w/o Lens Guard
Type Selection:	Xenon or LED
Tube Energy for Xenon:	2,5,10,15,21 Joule for Selection
LED Output:	Yellow Lens Cover-112 Candela; Red-94 Candela; Green-78 Candela; Blue -60 Candela
Status Type:	Flash; Rotary (LED only); Steady (LED only)
Flash Rate:	60/75/120 times/min (Flash once a time);100/120/150 times/min (Flash twice a time) 120/150/180 times/min (Flash three times a time)
Rotary Rate :	Rotary Rate is the same as Flash Rate. Rotary Type can be specially designed to provide LED in four different colors flashing in sequence.
Power Supply:	12-48V DC/AC or 100-240V AC
Power Consumption:	Xenon:2 Joule: 4W (Max); 5J: 10W (Max);10J: 15W (Max);15J: 20W(Max); 21J: 25W(Max); LED:5 W
Working Currenty:	Xenon:2 Joule:160mA(Max); 5J: 320mA(Max); 10J:650mA(Max); 15J: 1A(Max); 21J:1.4A (Max) LED:220mA (Max)
Terminals:	Accept up to 2.5mm2 Cable
Cable Entry:	4* M20, M25, 1/2" NPT, 3/4"NPT or Others
Electromagnetic:	CE ₀₄₇₀ Marked

Ordering Code

Prod-ucts	Lens Color	Type	Tube Energy (Xenon Only)	Voltage	Duty Label*	Tag Label*	Lens Guard*	Entry Size	Finish Color
BC125	R- Red	L- LED	02-2 Joule	DC- 12-48V DC	N-NO Y-Yes (Specify Wording)	N-NO Y-Yes (Specify Wording)	N-NO Y-Yes	A- M20 B- M25 C-1/2" NPT D-3/4" NPT O-Other	R-Red
	Y- Yellow		05-5 Joule						R-BLue
	B-Blue		10-10 Joule	BL-Black					
	G-Green		15- 15 Joule	O-Others (Specify)					
	C-Clear	20-20 Joule							
		X- Xenon		AC1- 12-48V AC					
				AC2-100-240V AC					

i.e. BC125RX05DCNNAR

BC125	R	X	05	DC	N	N	N	A	R
Product	Red	Xenon	5 Joule	12-48V DC	No Duty Lable	No Tag Label	No Lens Guard	M20 Cable Entry	Red Finish

These * accessories need to be ordered seperately. Please refer to product datasheet for your information.