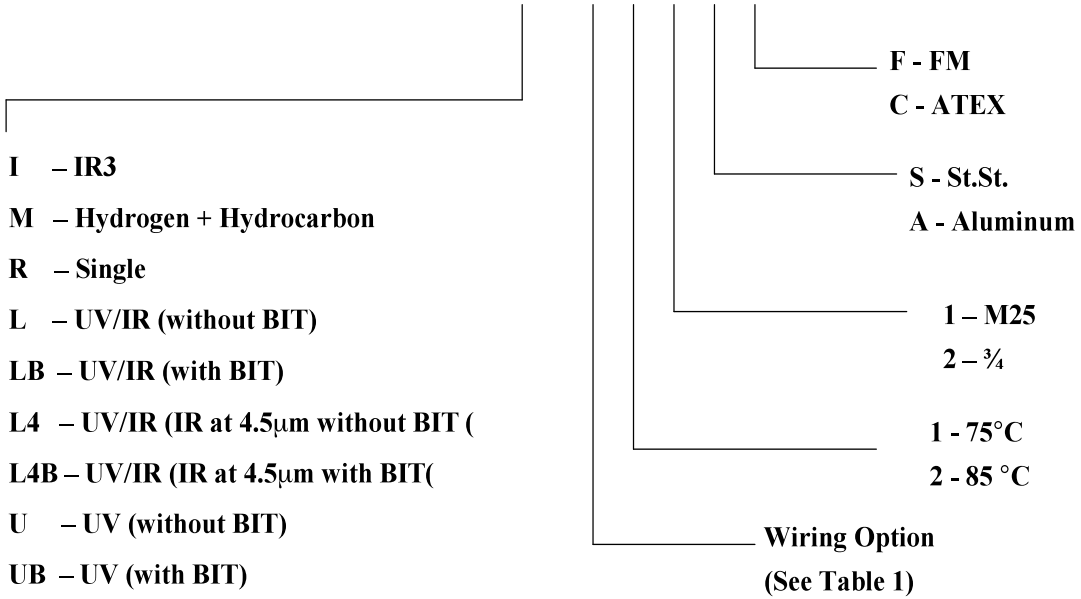




Definition of Models

40/40 X – X X X X X



**Table 1
 Wiring Options**

===== Relays =====

Option	485	HART	4-20mA	Fault*	ACC	Alarm
1 (Default)	✓	---	Sink	N.C.	---	N.O.
2	✓	✓	Source	N.C.	---	N.O., N.C.
3	✓	✓	Source	N.O.	---	N.O., N.C.
4	✓	---	---	N.C.	N.O.	N.O.
5	✓	---	---	N.O.	N.O.	N.O.

*Status of Fault Relay After Successful Start-up
 N.O. = Normally Open Relay
 N.C. = Normally Closed Relay